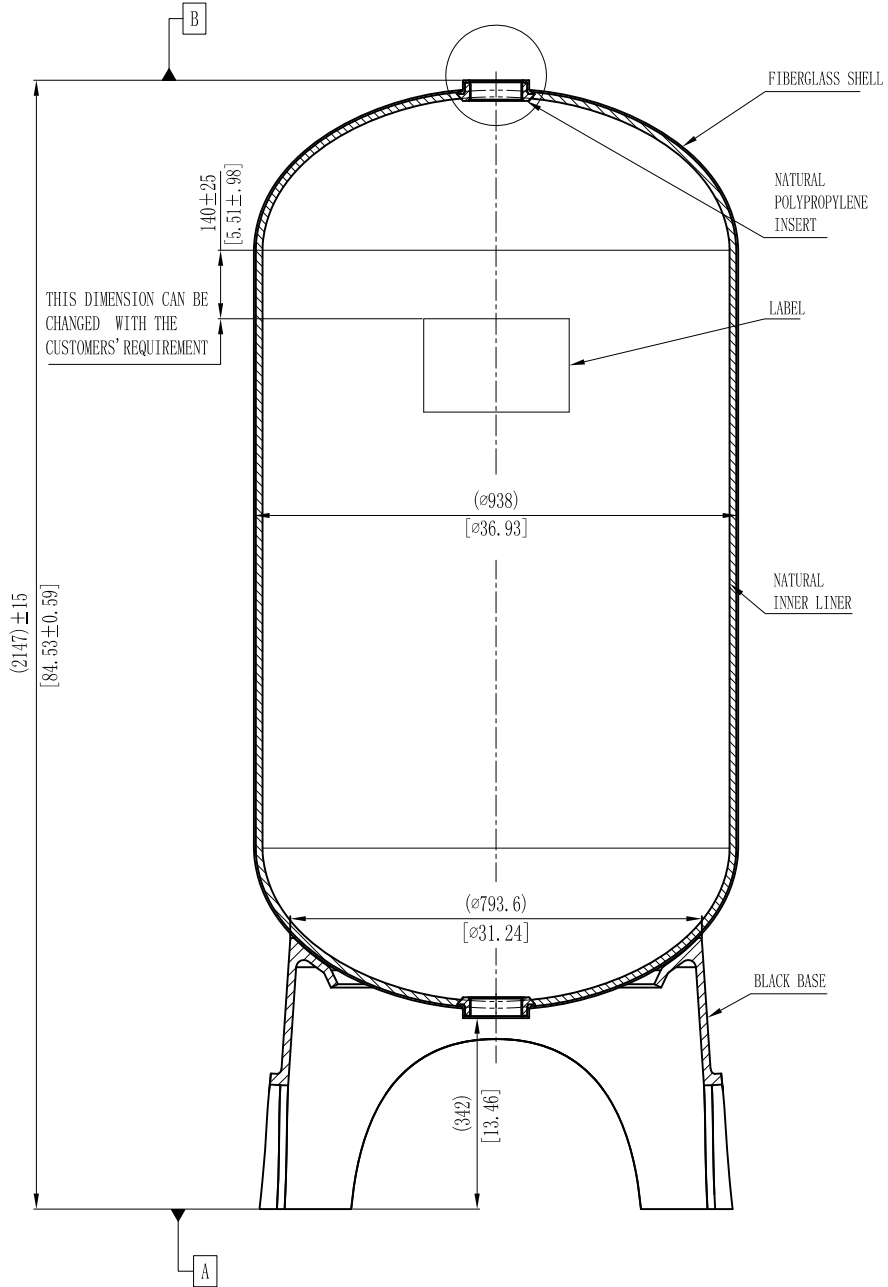
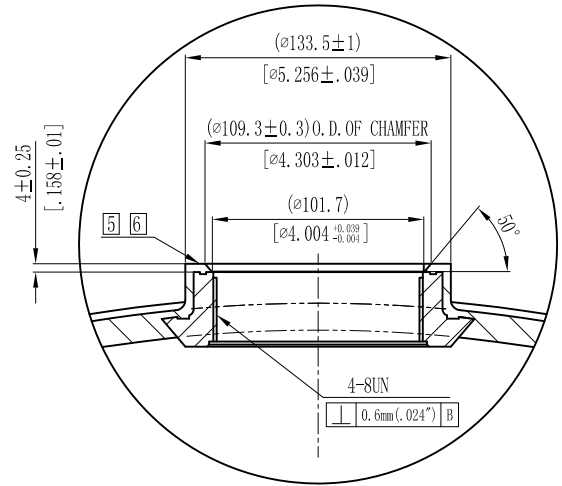


MODEL	VOLUME			DOME VOLUME			WEIGHT	
	liters	U. S. gal	cubic FT	liters	U. S. gal	cubic FT	Kg	LBS
36x72	984	259.97	34.77	125.8	33.21	4.44	123	270.9



1:2.5



- NOTES:
- TANK MUST MEET ALL APPLICABLE SPECIFICATIONS OF NSF/ANSI 044 STANDARD, LATEST REVISION.
  - OPERATING SPECIFICATIONS:
    - A. MAXIMUM WORKING PRESSURE - 150 PSI (10.5BAR)
    - B. TEMPERATURE RANGE - 34-120° F (1-49°C)
    - C. MAXIMUM VACUUM - 5"Hg (127mm Hg)
  - VISUAL LINER INSPECTION
    - A. NO MORE THAN 10 INTERNAL OR EXTERNAL BLEMISHES OR BURNT DEBRIS.
    - B. NO INTERNAL OR EXTERNAL BLEMISHES OR BURNT DEBRIS LARGER THAN 3×3mm.
    - C. NO INTERNAL BLEMISHES OR BURNT DEBRIS ALLOWED.
  - ALL GLASS STRANDS FROM FIBERGLASS LINER TO BE BONDED AND COVERED.
  5. SURFACE TO BE FREE OF NICKS, SCRATCHES, RESIN AND GLASS.
  6. SURFACE FINISH.
  7. DIMENSIONS IN PARENTHESES ARE REFERENCE ONLY.
  8. DIMENSIONS IN SQUARE PARENTHESES ARE INCH UNIT.
  9. TANK TO BE BONDED TO BASE.
  10. USING A STANDARD LEVEL WITH TANK POSITIONED ON A LEVEL SURFACE, DATUM B TO BE PARALLEL WITH DATUM A. BUBBLE OF LEVEL MUST FALL COMPLETELY WITHIN LINES WHEN MEASURED AT 90° INTERVALS.
  11. AFTER THE TANK IS LEVELLED, IT IS RECOMMENDED THAT THE TANK BE BOLTED TO THE FLOOR IN SIX POSITIONS PER THE TRIPOD BASE BOLT HOLE PATTERN WITH 3/8" ANCHORS.

5	THIS DRAWING IS UPDATED COMPLYING WITH THE CHINESE VERSION		SIGNATURE		2008/10/28
VERSION NO.	DESCRIPTION OF CHANGES:			DATE	
REFERENTIAL PLASTIC SHRINKAGE (IF NECESSARY):			WAVE CYBER (SHANGHAI) CO., LTD.		
SIGNATURE					
DESIGN	NAME	DATE	SCALE	MATERIAL	MODEL DESCRIPTION
INSPECTION			1 : 10		36" FRP PRESSURE VESSEL (DOUBLE OPENING)
APPROVAL			QUANTITY	SMOOTHNESS	
THIS PRODUCT DRAWING CAN NOT BE COPIED AND/OR USED WITHOUT PRIOR WRITTEN APPROVAL OF WAVE CYBER.			PROJECTION	COMPUTER CODE	DRAWING NO.
					111362-00
			UNIT: MM	VERSION NO.	TOTAL PAGE: 1
				5	