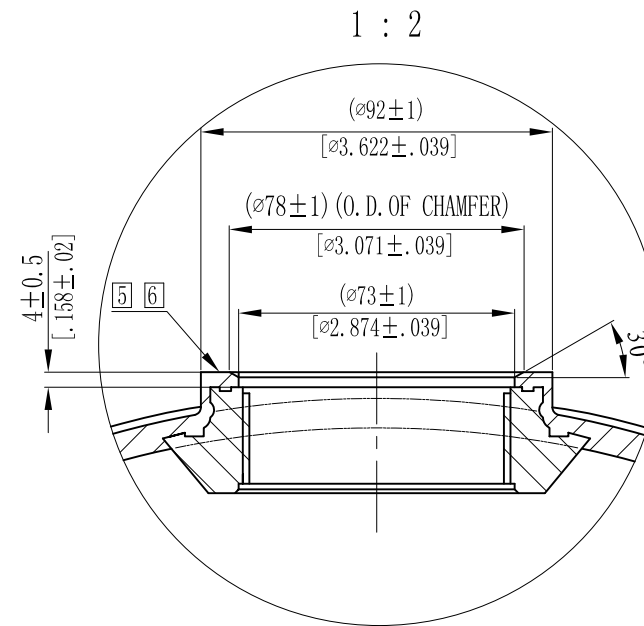
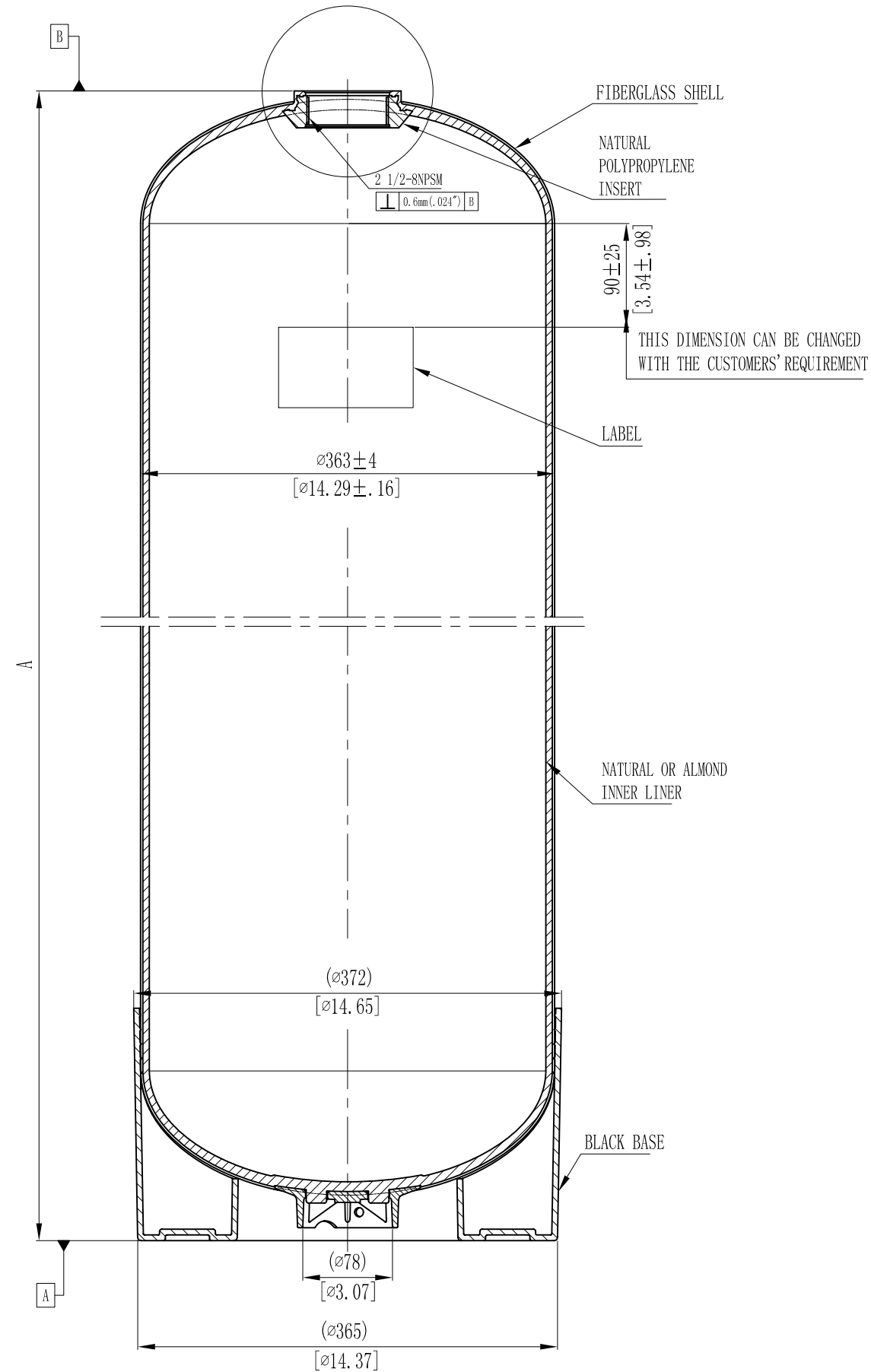


MODEL	A		VOLUME			DOME VOLUME			WEIGHT			
	mm	inch	+/-		liters	U.S.gal	cubic FT	liters	U.S.gal	cubic FT	Kg	LBS
			mm	inch								
14x65	1674	65.91	6	.24	148	39.1	5.23	6.16	1.63	0.22	14.80	32.60
14x52	1344	52.91	6	.24	115	30.38	4.06	6.16	1.63	0.22	12.45	27.42
14x47	1194	47.01	6	.24	101	26.68	3.57	6.16	1.63	0.22	11.6	25.52



NOTES:

- TANK MUST MEET ALL APPLICABLE SPECIFICATIONS OF NSF/ANSI 044 STANDARD, LATEST REVISION.
- OPERATING SPECIFICATIONS:
  - A. MAXIMUM WORKING PRESSURE - 150 PSI (10.5BAR)
  - B. TEMPERATURE RANGE - 34-120° F (1-49°C)
  - C. MAXIMUM VACUUM - 5"Hg (127mm Hg)
- VISUAL LINER INSPECTION
  - A. NO MORE THAN 10 INTERNAL OR EXTERNAL BLEMISHES OR BURNT DEBRIS.
  - B. NO INTERNAL OR EXTERNAL BLEMISHES OR BURNT DEBRIS LARGER THAN 3×3mm.
  - C. NO INTERNAL BLEMISHES OR BURNT DEBRIS ALLOWED.
- ALL GLASS STRANDS FROM FIBERGLASS LINER TO BE BONDED AND COVERED.
- SURFACE TO BE FREE OF NICKS, SCRATCHES, RESIN AND GLASS.
- SURFACE FINISH.
- DIMENSIONS IN PARENTHESIS ARE REFERENCE ONLY.
- DIMENSIONS IN SQUARE PARENTHESIS ARE INCH UNIT.
- USING A STANDARD LEVEL WITH TANK POSITIONED ON A LEVEL SURFACE, DATUM B TO BE PARALLEL WITH DATUM A. BUBBLE OF LEVEL MUST FALL COMPLETELY WITHIN LINES WHEN MEASURED AT 90° INTERVALS.

3	THIS DRAWING IS UPDATED COMPLYING WITH THE CHINESE VERSION				2008/07/21
VERSION NO.	DESCRIPTION OF CHANGES:			SIGNATURE	DATE
REFERENTIAL PLASTIC SHRINKAGE (IF NECESSARY):					
SIGNATURE			WAVE CYBER (SHANGHAI) CO., LTD.		
DESIGN	NAME	DATE			
INSPECTION			SCALE	MATERIAL	MODEL
APPROVAL			1 : 5		DESCRIPTION
THIS PRODUCT DRAWING CAN NOT BE COPIED AND/OR USED WITHOUT PRIOR WRITTEN APPROVAL OF WAVE CYBER.			QUANTITY	SMOOTHNESS	14" (2.5") FRP PRESSURE VESSEL
			PROJECTION	COMPUTER CODE	DRAWING NO.
			DO NOT MEASURE THE DIMENSIONS.	UNIT: MM	TOTAL PAGE: 1
			DRAWING NO. 111141-00		VERSION NO. 3