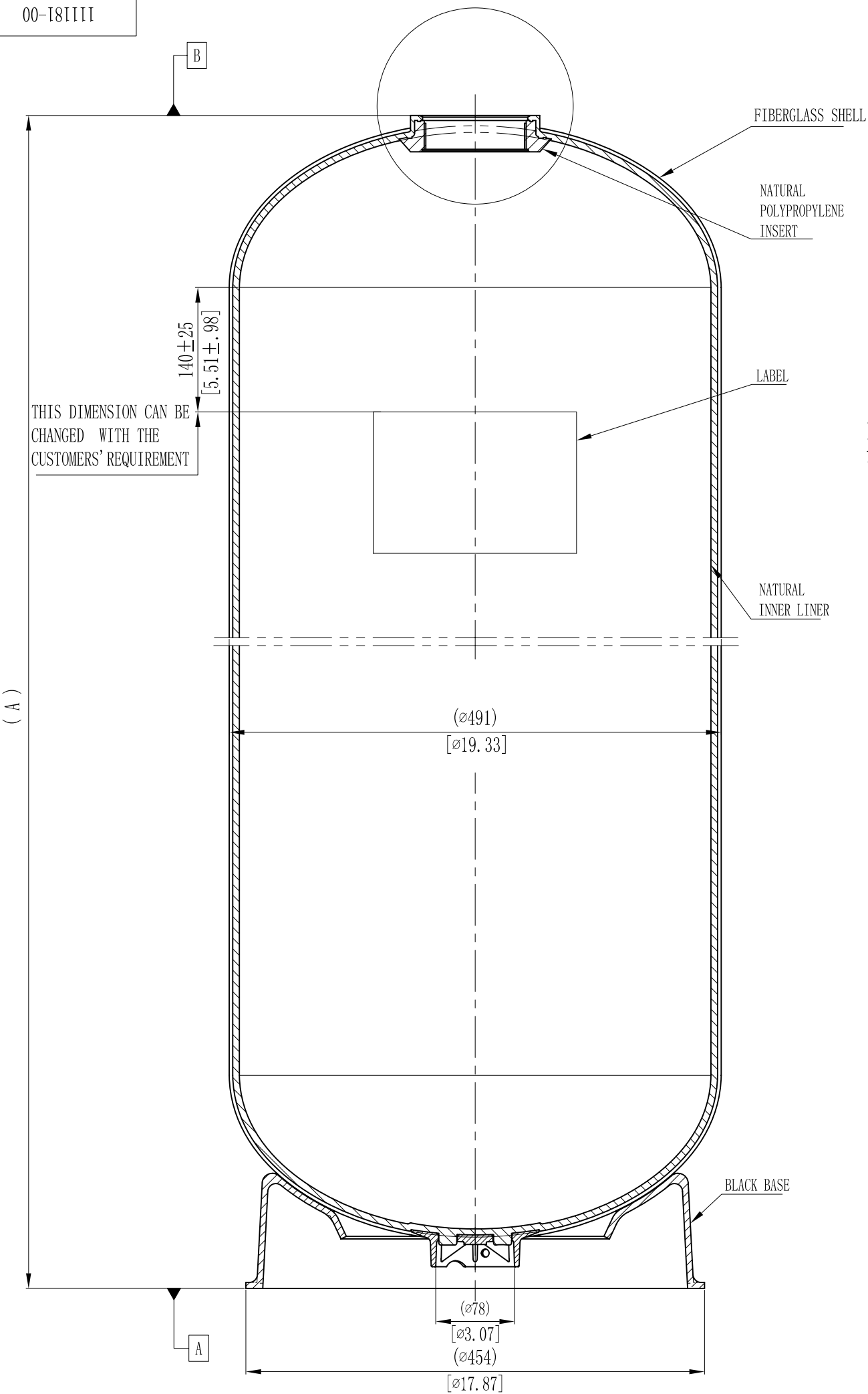
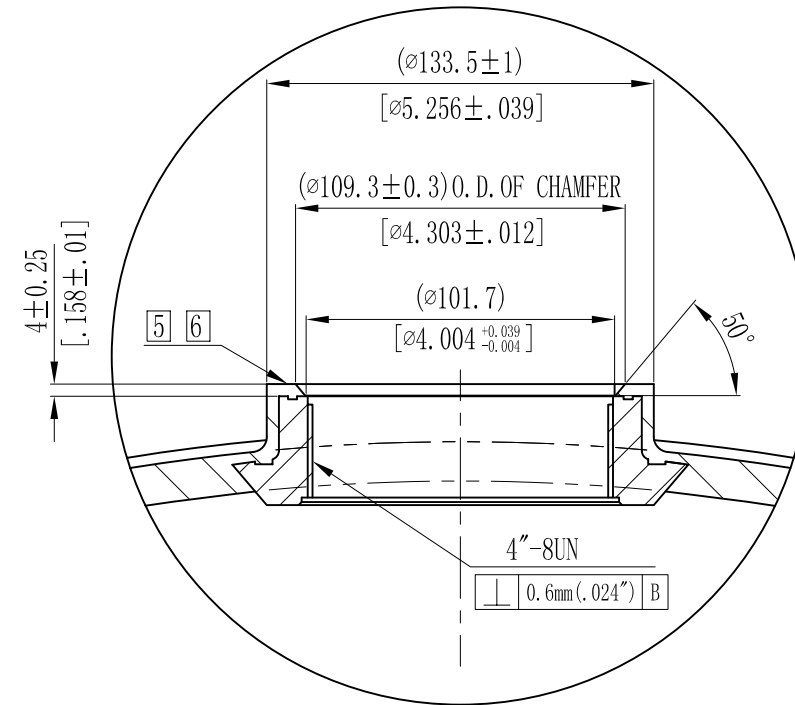


00-181111



MODEL	A		+/-		VOLUME			DOME VOLUME			WEIGHT	
	mm	inch	mm	inch	liters	U.S. gal	cubic FT	liters	U.S. gal	cubic FT	Kg	LBS
18x65	1722	67.80	15	0.59	269	71.06	9.51	17.3	4.57	0.61	30.5	67.1
18x36	1000	39.37	15	0.59	138	36.46	4.88	17.3	4.57	0.61	18.7	41.1
18x53	1432	56.38	15	0.59	211	55.74	7.46	17.3	4.57	0.61	25.8	56.8

1:2.5



NOTES:

- TANK MUST MEET ALL APPLICABLE SPECIFICATIONS OF NSF/ANSI 044 STANDARD, LATEST REVISION.
- OPERATING SPECIFICATIONS:
 - A. MAXIMUM WORKING PRESSURE - 150 PSI (10.5BAR)
 - B. TEMPERATURE RANGE - 34-120° F (1-49°C)
 - C. MAXIMUM VACUUM - 5"Hg (127mm Hg)
- VISUAL LINER INSPECTION
 - A. NO MORE THAN 10 INTERNAL OR EXTERNAL BLEMISHES OR BURNT DEBRIS.
 - B. NO INTERNAL OR EXTERNAL BLEMISHES OR BURNT DEBRIS LARGER THAN 3×3mm.
 - C. NO INTERNAL BLEMISHES OR BURNT DEBRIS ALLOWED.
- ALL GLASS STRANDS FROM FIBERGLASS LINER TO BE BONDED AND COVERED.
- SURFACE TO BE FREE OF NICKS, SCRATCHES, RESIN AND GLASS.
- SURFACE FINISH.
- DIMENSIONS IN PARENTHESIS ARE REFERENCE ONLY.
- DIMENSIONS IN SQUARE PARENTHESIS ARE INCH UNIT.
- TANK TO BE BONDED TO BASE.
- USING A STANDARD LEVEL WITH TANK POSITIONED ON A LEVEL SURFACE, DATUM B TO BE PARALLEL WITH DATUM A. BUBBLE OF LEVEL MUST FALL COMPLETELY WITHIN LINES WHEN MEASURED AT 90° INTERVALS.

6	THIS DRAWING IS UPDATED COMPLYING WITH THE CHINESE VERSION		2008/07/21			
VERSION NO.	DESCRIPTION OF CHANGES:			SIGNATURE	DATE	
REFERENTIAL PLASTIC SHRINKAGE (IF NECESSARY):						
SIGNATURE		WAVE CYBER (SHANGHAI) CO., LTD.				
DESIGN	NAME					DATE
INSPECTION			1 : 5		DESCRIPTION	
APPROVAL			QUANTITY	SMOOTHNESS	18"FRP PRESSURE VESSEL (SINGLE OPENING)	
THIS PRODUCT DRAWING CAN NOT BE COPIED AND/OR USED WITHOUT PRIOR WRITTEN APPROVAL OF WAVE CYBER.			PROJECTION	COMPUTER CODE	DRAWING NO.	VERSION NO.
			DO NOT MEASURE THE DIMENSIONS.		111181-00	6
			UNIT: MM	TOTAL PAGE: 1		