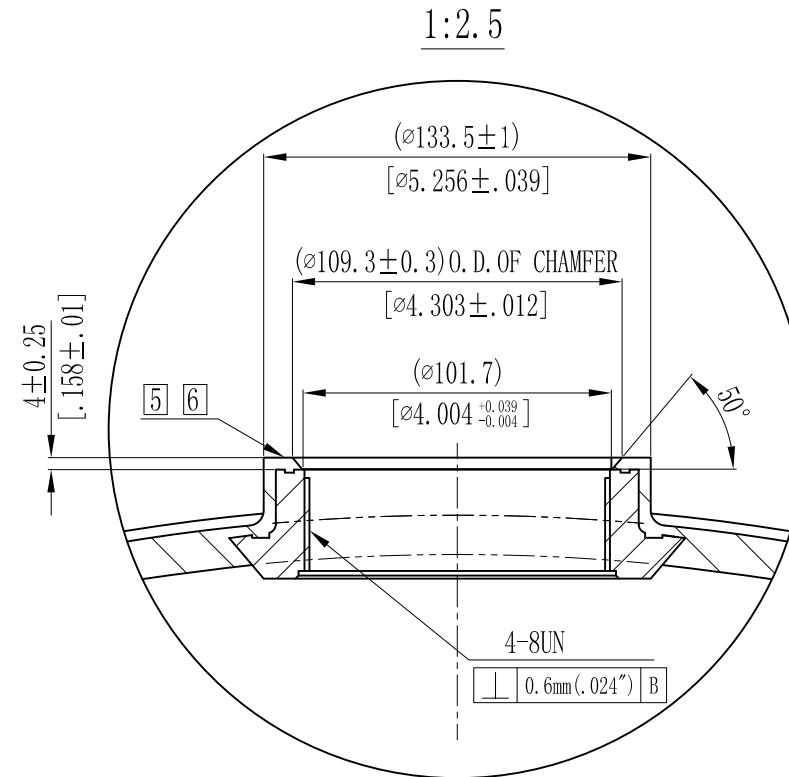
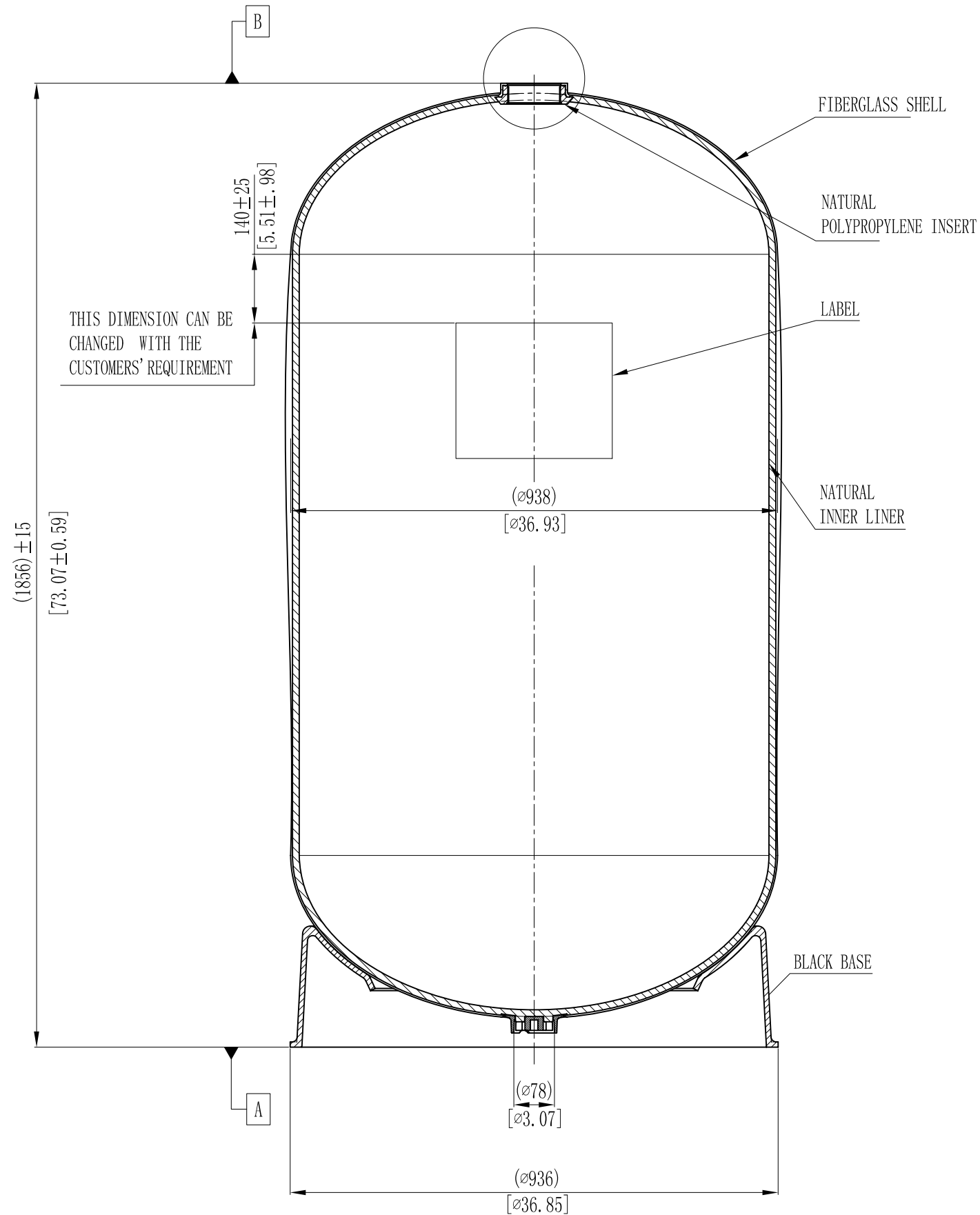


MODEL	VOLUME			DOME VOLUME			WEIGHT	
	liters	U.S. gal	cubic FT	liters	U.S. gal	cubic FT	Kg	LBS
36x72	984	259.97	34.77	125.8	33.21	4.44	122.8	270.2



NOTES:

- TANK MUST MEET ALL APPLICABLE SPECIFICATIONS OF NSF/ANSI 044 STANDARD, LATEST REVISION.
- OPERATING SPECIFICATIONS:
  - MAXIMUM WORKING PRESSURE - 150 PSI (10.5BAR)
  - TEMPERATURE RANGE - 34-120° F (1-49°C)
  - MAXIMUM VACUUM - 5"Hg (127mm Hg)
- VISUAL LINER INSPECTION
  - NO MORE THAN 10 INTERNAL OR EXTERNAL BLEMISHES OR BURNT DEBRIS.
  - NO INTERNAL OR EXTERNAL BLEMISHES OR BURNT DEBRIS LARGER THAN 3×3mm.
  - NO INTERNAL BLEMISHES OR BURNT DEBRIS ALLOWED.
- ALL GLASS STRANDS FROM FIBERGLASS LINER TO BE BONDED AND COVERED.
- SURFACE TO BE FREE OF NICKS, SCRATCHES, RESIN AND GLASS.
- SURFACE FINISH.
- DIMENSIONS IN PARENTHESIS ARE REFERENCE ONLY.
- DIMENSIONS IN SQUARE PARENTHESIS ARE INCH UNIT.
- TANK TO BE BONDED TO BASE.
- USING A STANDARD LEVEL WITH TANK POSITIONED ON A LEVEL SURFACE, DATUM B TO BE PARALLEL WITH DATUM A. BUBBLE OF LEVEL MUST FALL COMPLETELY WITHIN LINES WHEN MEASURED AT 90° INTERVALS.

6	THIS DRAWING IS UPDATED COMPLYING WITH THE CHINESE VERSION				2008/10/28
VERSION NO.	DESCRIPTION OF CHANGES:			SIGNATURE	DATE
REFERENTIAL PLASTIC SHRINKAGE (IF NECESSARY):					
SIGNATURE		WAVE CYBER (SHANGHAI) CO., LTD.			
DESIGN	NAME				
INSPECTION			1 : 10		DESCRIPTION
APPROVAL			QUANTITY	SMOOTHNESS	36"FRP PRESSURE VESSEL (SINGLE OPENING)
THIS PRODUCT DRAWING CAN NOT BE COPIED AND/OR USED WITHOUT PRIOR WRITTEN APPROVAL OF WAVE CYBER.		PROJECTION	COMPUTER CODE	DRAWING NO.	VERSION NO.
				111361-00	6
DO NOT MEASURE THE DIMENSIONS.			UNIT: MM	TOTAL PAGE: 1	