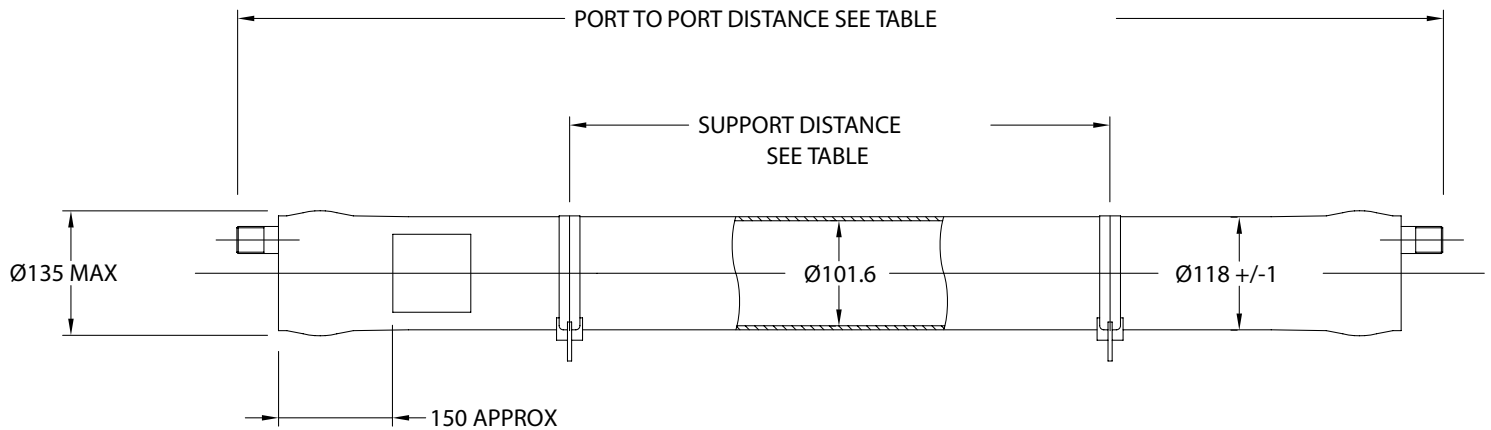


4" End Port Pressure Vessel 600 psi (41.4 bar)

ORDER REFERENCE
See Box Below



Working Pressure: 600 psi

Working Temperature: -70 to 45°C

Assembly Drawing: 1MNC 1386

Design Code: ASME X

Body of vessel is manufactured completely from glass reinforced epoxy resins. Pressure vessels can be produced to cover all leading manufacturers membranes regardless of length. Please advise membrane type and length when requesting further details. Please adhere to recommended support positions, if in doubt contact Phoenix Vessel Technology.

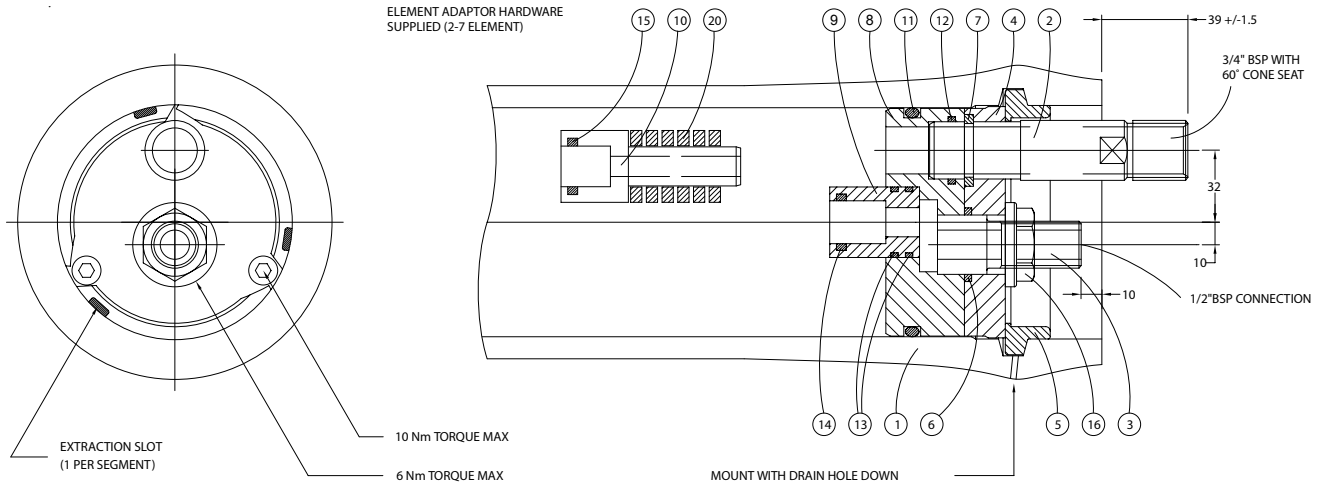
Feed and concentrate connections: 3/4" BSP (Male)

Product connections: 1/2" BSP (Male)

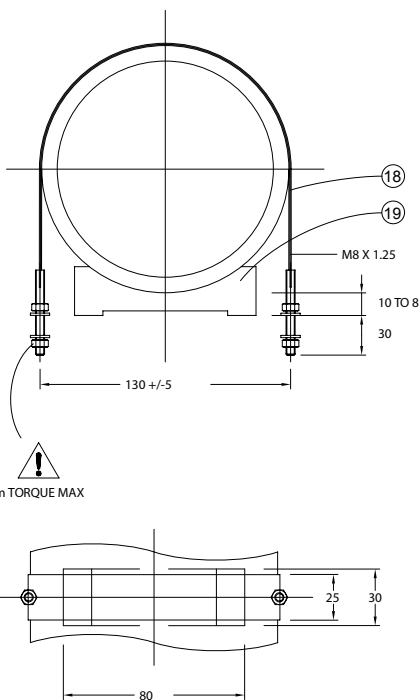
Order Reference	No of 40" Elements	Port to Port Length +/-4mm	Max Support Position	Min Support Position	Max Dry Weight
4E600X.1	1	1295	800	200	12 kg
4E600X.2	2	2413	1810	620	18 kg
4E600X.3	3	3429	2450c	1310c	24 kg
4E600X.4	4	4445	2820c	2820c	30 kg
4E600X.5	5	5461	4650c	3320c	35 kg
4E600X.6	6	6477	5010c	4340c	41 kg

4" End Port Pressure Vessel 600 psi (41.4 bar)

ORDER REFERENCE
See Box Below



Item	Description	Material	Part No.	No.off
1	Vessel Body	Glass Fibre Epoxy Resin	BDY 1437	1
2	Feed/Concentrate Port	Duplex Stainless Steel-2507	CMP 1418	2
3	Product Port	Thermoplastic	CMP 2261.A	2
4	Backing Plate	St. Steel 316	CMP 1654	2
5	Retaining Ring Segment	St. Steel 316	CMP 1104	2 Sets of 3
6	'O' Seal (Product Port)	EPDM Included in item 3	BS215	2
7	Retaining Ring (Feed Port)	St. Steel 316	CMP 1299	2 Sets of 2
8	End Plate	Thermoplastic	CMP 1587.A	2
9	Hub	Thermoplastic	To suit membrane	2
10	Adaptor (2 to 7 element)	Thermoplastic	To suit membrane	2
11	'O' Seal (Endplate)	EPDM Included in item 8	BS342	2
12	'O' Seal (Feed Port)	EPDM Included in item 8	BS120	2
13	'O' Seal (Endplate/Hub)	EPDM Included in item 9	BS121	4
14	'O' Seal (Hub/Membrane)	EPDM	To suit membrane	2
15	'O' Seal (Adaptor)	EPDM	To suit membrane	2
16	Backnut 1/2" BSP	Thermoplastic	CMP 1423	2
17	Cap Head Screw	St.Steel A4 Grade	CMP 1077	4
18	Strap	St. Steel/PVC	CMP 3570.A	2/3
19	Saddle	Urethane	CMP 1115	2/3
20	Shim	ABS	CMP 3403	6



For lubricants and general assembly refer to the **User Guide on our website.**

DO NOT EXCEED THE MAXIMUM TORQUE.

The company reserves the right to alter specifications without prior notice. This data sheet supersedes all previous issues. Product Code: 4E600X ISSUE:J