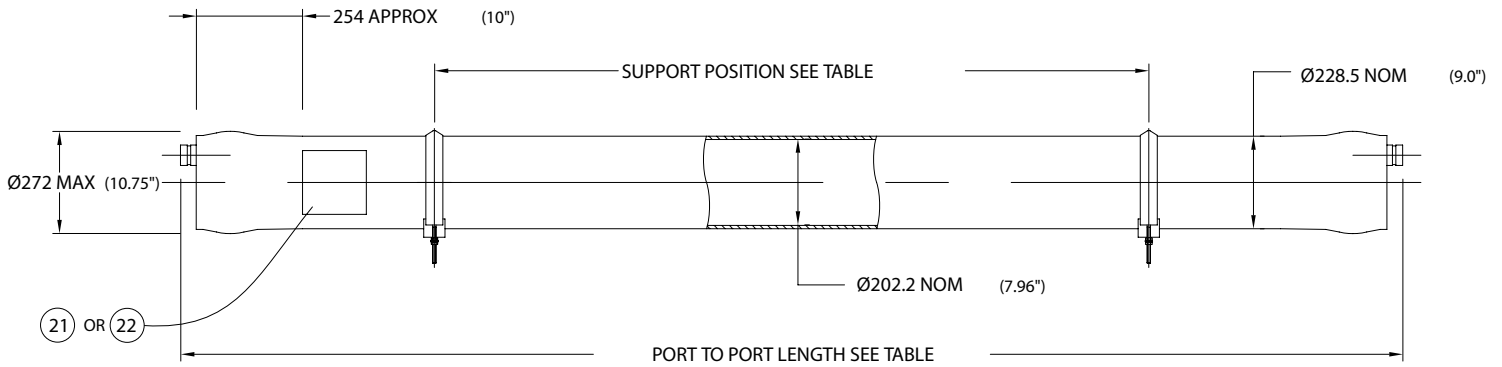




Technical Information Sheet

8" End Port Pressure Vessel 1000 psi (69.0 bar)

ORDER REFERENCE
See Box Below



Working Pressure: 1000 psi

Working Temperature: -7° to 45° C

Assembly Drawing: 1MNC 1381

Design Code: ASME X

Body of vessel is manufactured completely from glass reinforced epoxy resins. Pressure vessels can be produced to cover all leading manufacturers membranes regardless of length. Please advise membrane type and length when requesting further details. Please adhere to recommended support positions, if in doubt contact Phoenix Vessel Technology.

Feed and concentrate connections: 1.5" Victaulic. **Product connections:** 1.5" BSP Parallel (Male) or 1.0" BSP (Female)

Order Reference	No of 40" Elements	Port to Port Length +/-4mm	Max Support Position	Min Supports Position	Max Dry Weight
8E1000X.1	1	1651	875	500	55 kg
8E1000X.1.5	1.5	2159	1400	500	65 kg
8E1000X.2	2	2667	1890	500	75 kg
8E1000X.3	3	3683	2910c	960c	95 kg
8E1000X.4	4	4699	3190c	1970c	114 kg
8E1000X.4.5	4.5	5207	3375c	2480c	124 kg
8E1000X.5	5	5715	3560c	2990c	134 kg
8E1000X.6	6	6731	4020c	4020c	153 kg
8E1000X.7	7	7747	6170c	5090c	173 kg
8E1000X.7.5	7.5	8255	6220c	5330c	183 kg

All dimensions in mm. c = Central support required.
All dimensions and weights are nominal unless stated otherwise.

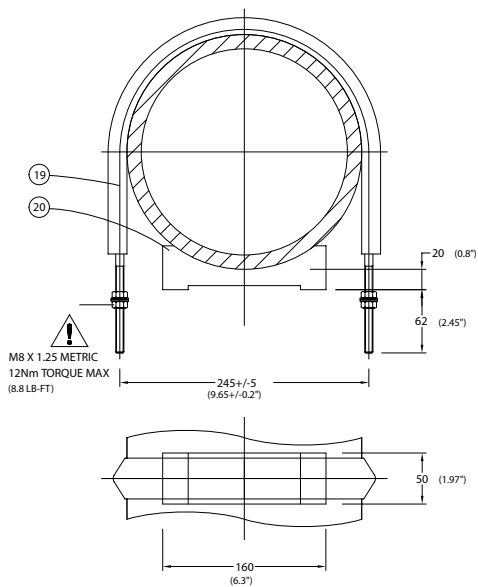
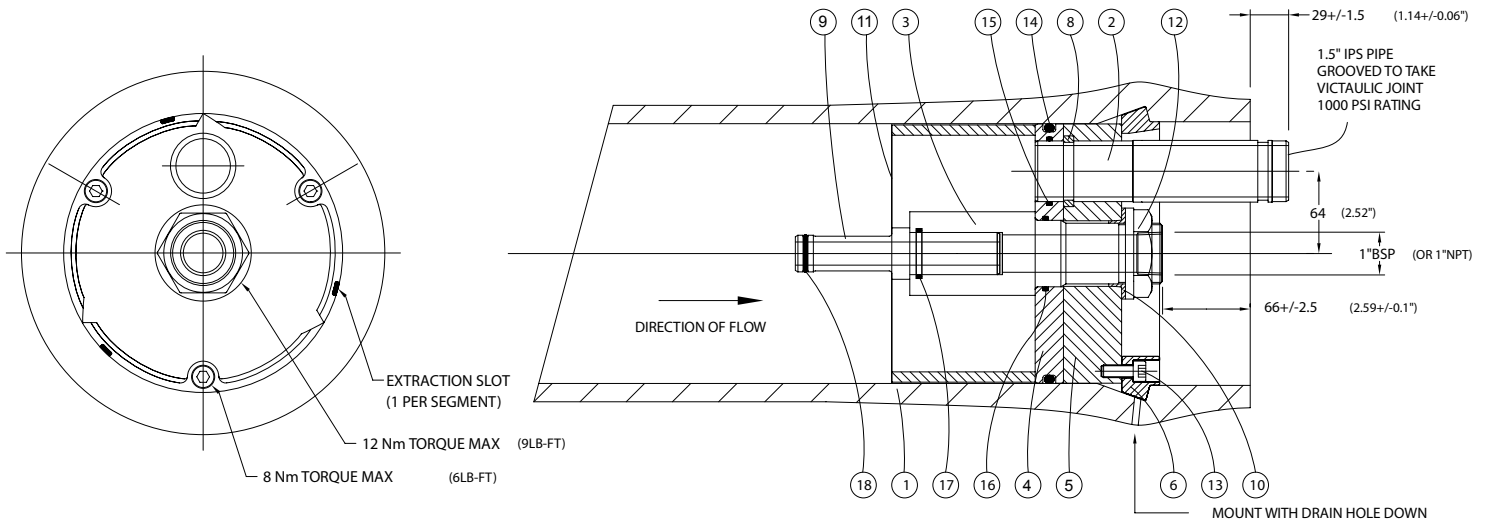
This data sheet supersedes all previous issues.
Product Code: 8E1000X ISSUE:M



Technical Information Sheet

8" End Port Pressure Vessel 1000 psi (69.0 bar)

ORDER REFERENCE
See Box Below



For lubricants and general assembly refer to the **User Guide** on our website.

Item	Description	Material	Part No.	No.off
1	Vessel Body	Glass Fibre Epoxy Resin	BDY 1219	1
2	Feed/Concentrate Port	Duplex Stainless Steel - 2507	CMP 1167	2
3	Product Port	Thermoplastic	CMP 3369.A	2
4	End Plate	Thermoplastic	CMP 1397.A	2
5	Backing Plate	Anodised Aluminium	CMP 1768	2
6	Retaining Ring Segment	St. Steel 316	CMP 1470	2 set of 3
8	Retaining Ring (Port)	St. Steel 316 (Included in item 2)	CMP 1176	2
9	Adaptor	Thermoplastic	To suit membrane	2
10	Anti-rotation Collet	Thermoplastic	CMP 1894	2
11	Thrust Ring	Thermoplastic	CMP 1228	1
12	1.5" BSP Backnut	St. Steel	CMP 1979	2
13	Cap Head Screw	St. Steel Grade A2	CMP 1520	6
14	'O' Seal Endplate	EPDM (Included in item 4)	BS882	2
15	'O' Seal Feed Port	EPDM (Included in item 4)	BS225	2
16	'O' Seal Prod/Endplate	EPDM (Included in item 4)	BS832	2
17	'O' Seal Prod/Adaptor	EPDM (Included in item 3)	BS219	2
18	'O' Seal Adaptor	EPDM (Included in item 9)	To suit membrane	4
19	Strap	St.Steel/PVC	CMP 3426.A	2/3
20	Saddle	Polypropylene	CMP 3920	2/3
	Adaptor Spacer Shims	ABS (included in item 9)	CMP 1674	8

DO NOT EXCEED THE MAXIMUM TORQUE.

The company reserves the right to alter specifications without prior notice. This data sheet supersedes all previous issues. Product Code: 8E1000X ISSUE:M

