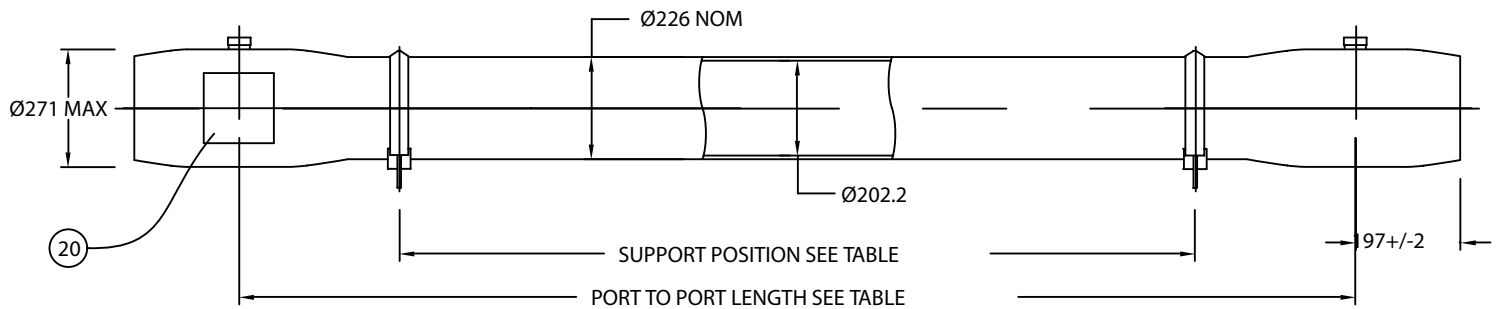




# Technical Information Sheet

## 8" Side Port Pressure Vessel 1000 psi (69.0 bar)

**ORDER REFERENCE**  
See Box Below



**Working Pressure:** 1000 psi

**Working Temperature:** 0° to 45° C

**Assembly Drawing:** 1MNC 3639

**Design Code:** PED

Body of vessel is manufactured completely from glass reinforced epoxy resins. Pressure vessels can be produced to cover all leading manufacturers membranes regardless of length.

Please advise membrane type and length when requesting further details. Please adhere to recommended support positions, if in doubt contact Phoenix Vessel Technology.

**Feed and concentrate connections:** 1.5", 2.0" Victaulic.

**Product connections:** 1.0" BSP (Female).

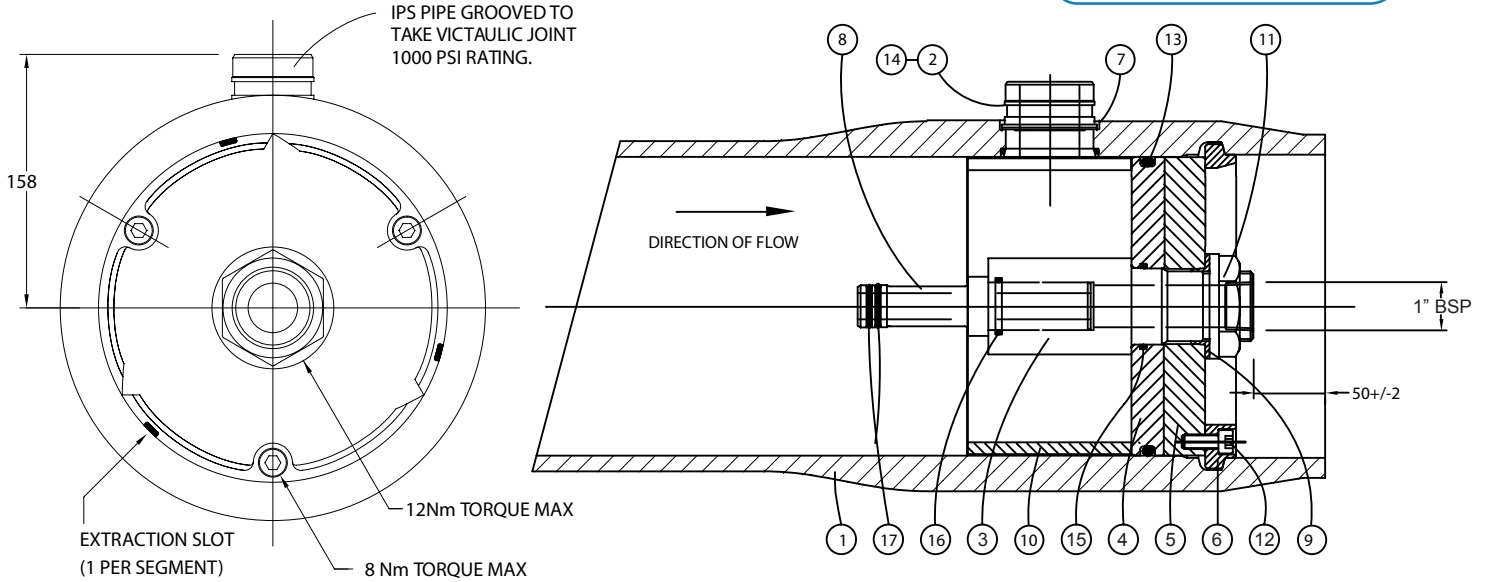
Order Reference	No of 40" Elements	Port to Port Length +/-4mm	Max Support Position	Min Supports Position	Max Dry Weight
8S1000N.1	1	1143	740	500	56 kg
8S1000N.1.5	1.5	1651	1250	500	63 kg
8S1000N.2	2	2159	1750	500	70 kg
8S1000N.3	3	3175	2775c	960c	85 kg
8S1000N.4	4	4191	3190c	1970c	100 kg
8S1000N.4.5	4.5	4699	3375c	2480c	107 kg
8S1000N.5	5	5207	3560c	2990c	114 kg
8S1000N.6	6	6223	4020c	4020c	129 kg
8S1000N.7	7	7239	6170c	5090c	144 kg
8S1000N.7.5	7.5	7747	6220c	5330c	151 kg

All dimensions in mm. c = Central support required.  
All dimensions and weights are nominal unless stated otherwise.

This data sheet supersedes all previous issues.  
Product Code: 8S1000N ISSUE:E

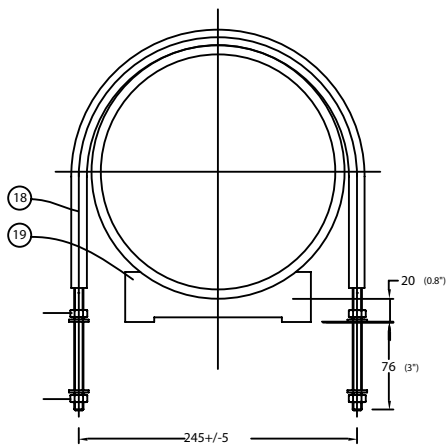
## 8" Side Port Pressure Vessel 1000 psi (69.0 bar)

**ORDER REFERENCE**  
See Box Below



SIDE PORT OPTIONS	SIZE	STYLE
	1.5"	1) 2 Same side - 0°, 0°
	2.0"	2) 2 Opposing - 0°, 180°
		3) 3 port - 0°, 180°
		4) 4 port - 0°, 180°

Item	Description	Material	Part No.	No.off
1	Vessel Body	Glass Fibre Epoxy Resin	BDY 3988	1
2	Feed/Concentrate Port	St. Steel Duplex	CMP 3926.A 1.5" CMP 4077.A 2.0"	2/3/4
3	Hub	Thermoplastic	CMP 3366.A	2
4	End Cap	Thermoplastic	CMP 1954.A	2
5	Backing Plate	Anodised Aluminium	CMP 1948	2
6	Retaining Ring Segment	St. Steel 316	CMP 1469	2 sets of 3
7	Spiroloc Circlip	St. Steel 316	CMP 1950 1.5" CMP 2029 2.0"	2/3/4
8	Adaptor	Thermoplastic	To suit membrane	2
9	Anti-rotation Collet	Thermoplastic	CMP 1894	2
10	Thrust Ring	MDPE	CMP 3069.A	1
11	1.5" BSP Backnut	St. Steel	CMP 1979	2
12	Cap Head Screw	St. Steel Grade A2	CMP 1520	6
13	'O' Seal Endplate	EPDM (Included in item 4)	BS882	2
14	'O' Seal Feed Port	EPDM (Included in item 2)	BS227 1.5" BS841 2.0"	2/3/4
15	'O' Seal Hub/Endcap	EPDM (Included in item 4)	BS832	2
16	'O' Seal Prod/Adaptor	EPDM (Included in item 3)	BS219	2
17	'O' Seal Adaptor	EPDM (Included in item 9)	To suit membrane	4
18	Strap	St. Steel/PVC	CMP 3426.A	2/3
19	Saddle	Thermoplastic	CMP 3920	2/3



M8 X 1.25 METRIC



8Nm TORQUE MAX  
(5.9 LB-FT)

For lubricants and general assembly refer to the **User Guide** on our website.

**DO NOT EXCEED THE MAXIMUM TORQUE.**

The company reserves the right to alter specifications without prior notice.  
This data sheet supersedes all previous issues. Product Code: 8S1000N ISSUE: E