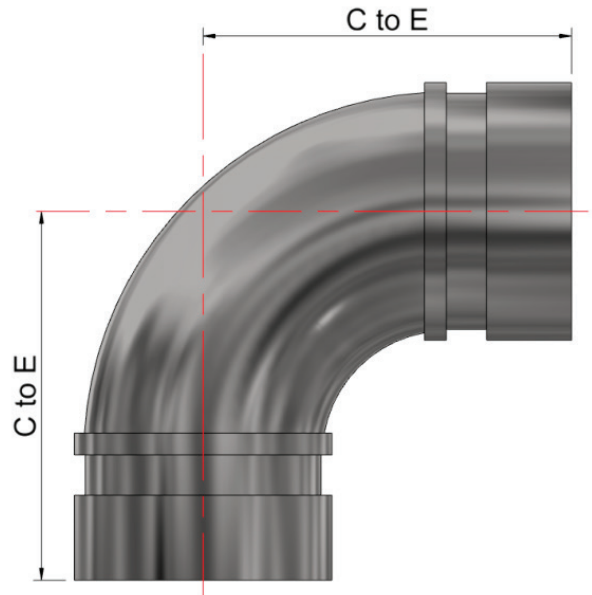


Working pressure:

Nominal size	Working pressure	Material
1" - 6"	600 psi (40 bar)	316SS CF8M
1" - 6"	1200 psi (82 bar)	Duplex Super Duplex

Materials - Conform to ASTM A351/A351M standard

Specifications	
Nominal Size Inch	C to E inch (mm)
1	2.25 (57.2)
1-1/4	2.75 (69.9)
1-1/2	2.75 (69.9)
2	3.25 (82.6)
2-1/2	3.75 (95.3)
3	4.25 (108.0)
4	5 (127.0)
6	6.5 (165.1)



More sizes are available upon request. Contact Piedmont for details.
Equal tees are also available following the same sizing pattern.