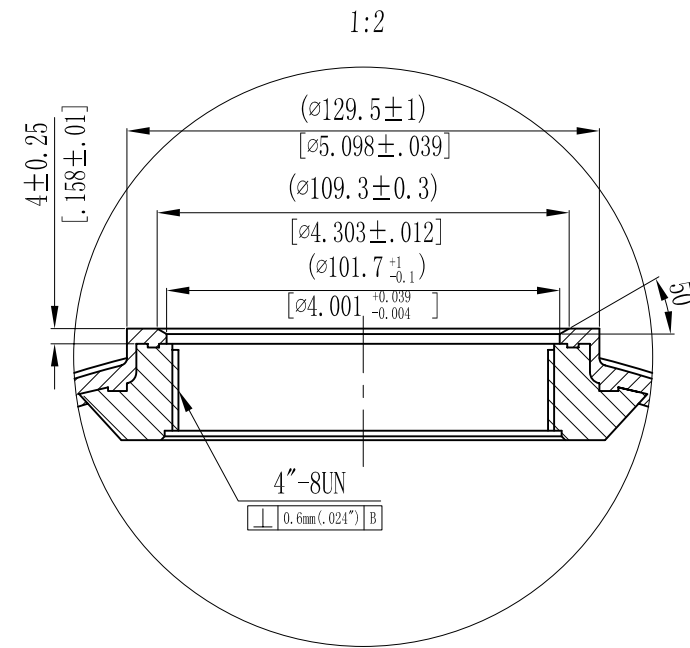


MODEL	A				VOLUME			DOME VOLUME			WEIGHT	
	mm	inch	+/-		liters	U.S. gal	cubic FT	liters	U.S. gal	cubic FT	Kg	LBS
12x48	1227	48.31	6	.24	79.5	21.0	2.81	3.87	1.02	0.14	8.49	18.68
12x52	1333	52.48	6	.24	87.3	23.06	3.08	3.87	1.02	0.14	9.04	19.89



NOTES:

- 1 . TANK MUST MEET ALL APPLICABLE SPECIFICATIONS OF NSF/ANSI 044 STANDARD, LATEST REVISION.
- 2 . OPERATING SPECIFICATIONS:
 - A. MAXIMUM WORKING PRESSURE - 150 PSI (10.5BAR)
 - B. TEMPERATURE RANGE - 34-120° F (1-49°C)
 - C. MAXIMUM VACUUM - 5"Hg (127mm Hg)
- 3 . VISUAL LINER INSPECTION
 - A. NO MORE THAN 10 INTERNAL OR EXTERNAL BLEMISHES OR BURNT DEBRIS.
 - B. NO INTERNAL OR EXTERNAL BLEMISHES OR BURNT DEBRIS LARGER THAN 3×3mm.
 - C. NO INTERNAL BLEMISHES OR BURNT DEBRIS ALLOWED.
- 4 . ALL GLASS STRANDS FROM FIBERGLASS LINER TO BE BONDED AND COVERED.
- 5 . SURFACE TO BE FREE OF NICKS, SCRATCHES, RESIN AND GLASS.
- 6 . SURFACE FINISH.
- 7 . DIMENSIONS IN PARENTHESIS ARE REFERENCE ONLY.
- 8 . DIMENSIONS IN SQUARE PARENTHESIS ARE INCH UNIT.

0	THIS DRAWING IS UPDATED COMPLYING WITH THE CHINESE VERSION		2008/07/21	
VERSION NO.	DESCRIPTION OF CHANGES:			SIGNATURE
REFERENTIAL PLASTIC SHRINKAGE (IF NECESSARY):		SIGNATURE		
DESIGN		SCALE	MATERIAL	MODEL
INSPECTION		1 : 5		DESCRIPTION
APPROVAL		QUANTITY	SMOOTHNESS	12" (4") FRP PRESSURE VESSEL
THIS PRODUCT DRAWING CAN NOT BE COPIED AND/OR USED WITHOUT PRIOR WRITTEN APPROVAL OF WAVE CYBER.		PROJECTION	COMPUTER CODE	DRAWING NO.
		DO NOT MEASURE THE DIMENSIONS.		UNIT: MM
		WAVE CYBER (SHANGHAI) CO., LTD.		VERSION NO.
				111124-00
				0
				TOTAL PAGE: 1