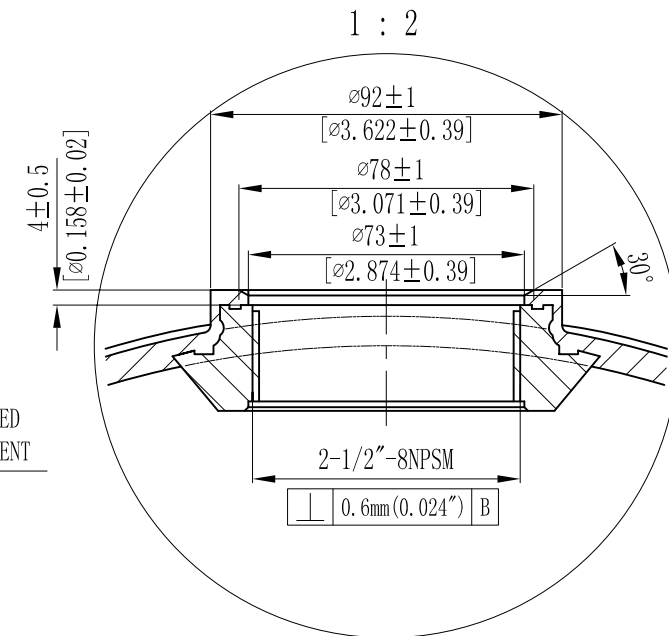
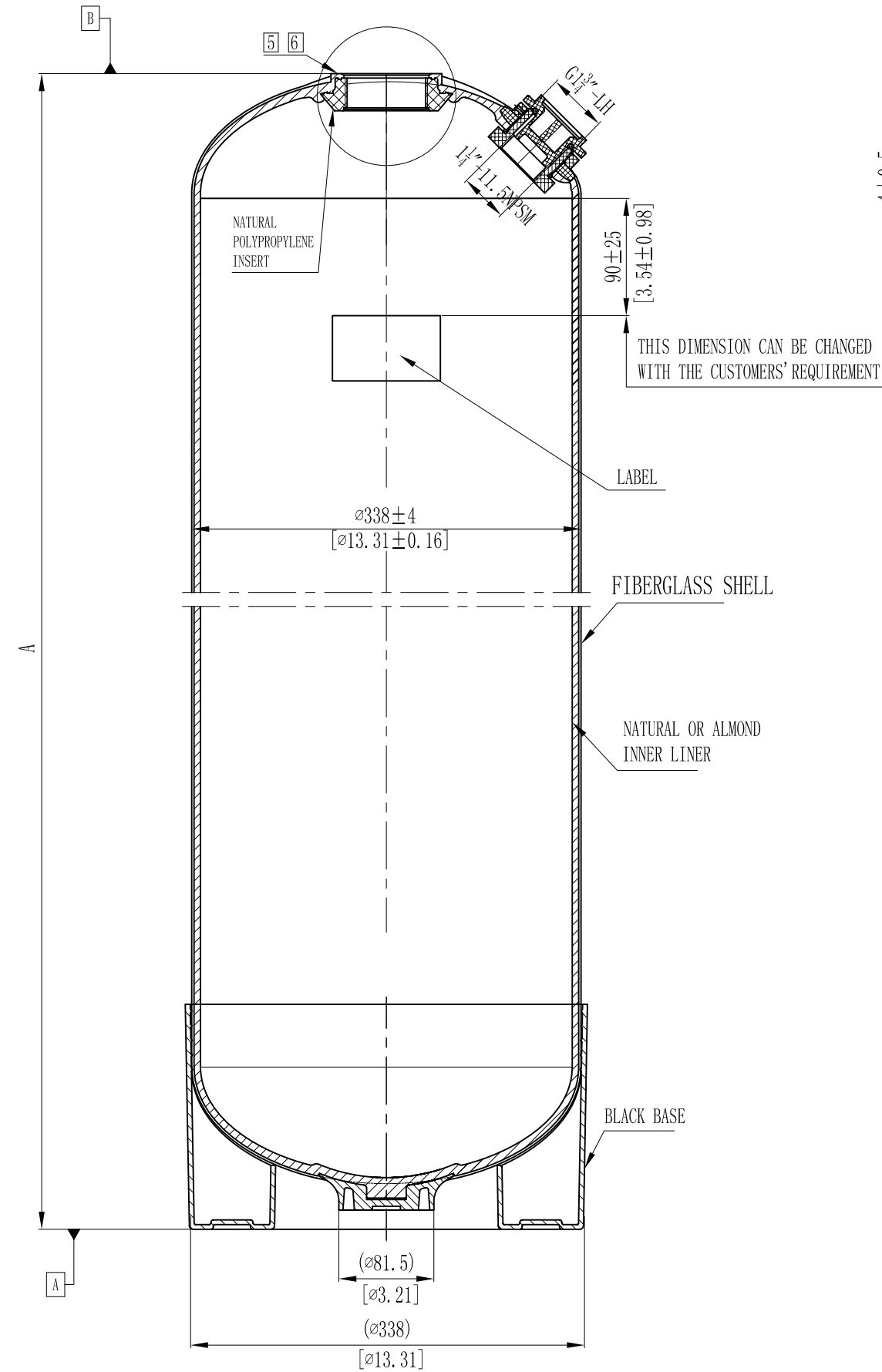


MODEL	A				VOLUME			DOME VOLUME			WEIGHT	
	mm	inch	+/-		liters	U.S.gal	cubic FT	liters	U.S.gal	cubic FT	Kg	LBS
			mm	inch								
13x44	1145	45.08	6	0.24	84.8	22.40	3.00	4.91	1.30	0.17	11.80	25.96
13x54	1404	55.28	6	0.24	105.7	27.93	3.73	4.91	1.30	0.17	13.85	30.47



DOME HOLE POSITION:  
 POSITION A. FOR THE FOLLOWING VALVES:  
 FLECK 2510, 5600, 6600, 6700, 56SE  
 AUTOTROL 255/440, 263/440  
 POSITION B.  
 CLACK

NOTES:

- TANK MUST MEET ALL APPLICABLE SPECIFICATIONS OF NSF/ANSI 044 STANDARD, LATEST REVISION.
- OPERATING SPECIFICATIONS:
  - A. MAXIMUM WORKING PRESSURE - 150 PSI (10.3BAR)
  - B. TEMPERATURE RANGE - 34-120° F (1-49°C)
  - C. MAXIMUM VACUUM - 5"Hg (127mm Hg)
- VISUAL LINER INSPECTION
  - A. NO MORE THAN 10 INTERNAL OR EXTERNAL BLEMISHES OR BURNT DEBRIS.
  - B. NO INTERNAL OR EXTERNAL BLEMISHES OR BURNT DEBRIS LARGER THAN 3×3mm.
  - C. NO INTERNAL BLEMISHES OR BURNT DEBRIS ALLOWED.
- ALL GLASS STRANDS FROM FIBERGLASS LINER TO BE BONDED AND COVERED.
- SURFACE TO BE FREE OF NICKS, SCRATCHES, RESIN AND GLASS.
- SURFACE FINISH.
- DIMENSIONS IN PARENTHESIS ARE REFERENCE ONLY.
- DIMENSIONS IN SQUARE PARENTHESIS ARE INCH UNIT.
- USING A STANDARD LEVEL WITH TANK POSITIONED ON A LEVEL SURFACE, DATUM B TO BE PARALLEL WITH DATUM A. BUBBLE OF LEVEL MUST FALL COMPLETELY WITHIN LINES WHEN MEASURED AT 90° INTERVALS.

2	ADD TOLERANCE ±6 TO DIMENSION A		2009/06/23
VERSION NO.	DESCRIPTION OF CHANGES:	SIGNATURE	DATE
REFERENTIAL PLASTIC SHRINKAGE (IF NECESSARY):			
SIGNATURE		WAVE CYBER (SHANGHAI) CO., LTD.	
DESIGN	DATE		
INSPECTION	SCALE	MATERIAL	MODEL
APPROVAL	1 : 5	SMOOTHNESS	DESCRIPTION
THIS PRODUCT DRAWING CAN NOT BE COPIED AND/OR USED WITHOUT PRIOR WRITTEN APPROVAL OF WAVE CYBER.	QUANTITY	COMPUTER CODE	13" FRP PRESSURE VESSEL (DOME HOLE)
	PROJECTION	DRAWING NO.	VERSION NO.
	DO NOT MEASURE THE DIMENSIONS.	112131-00	2
UNIT: MM		TOTAL PAGE: 1	