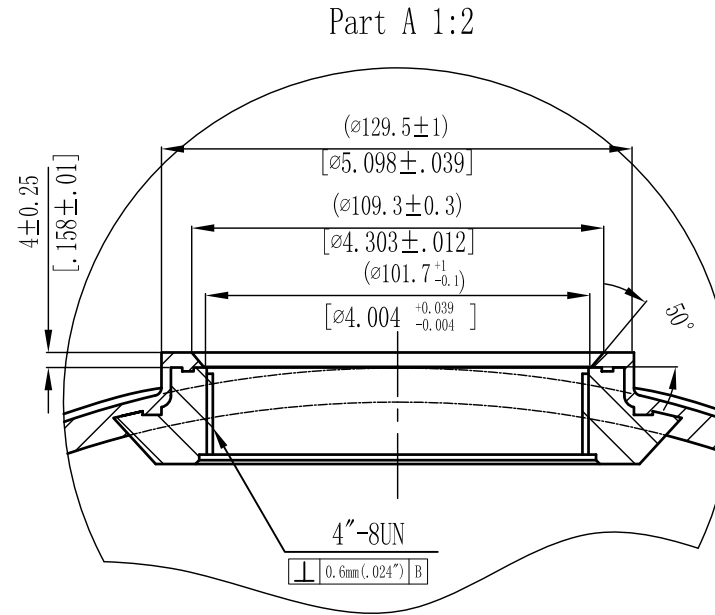
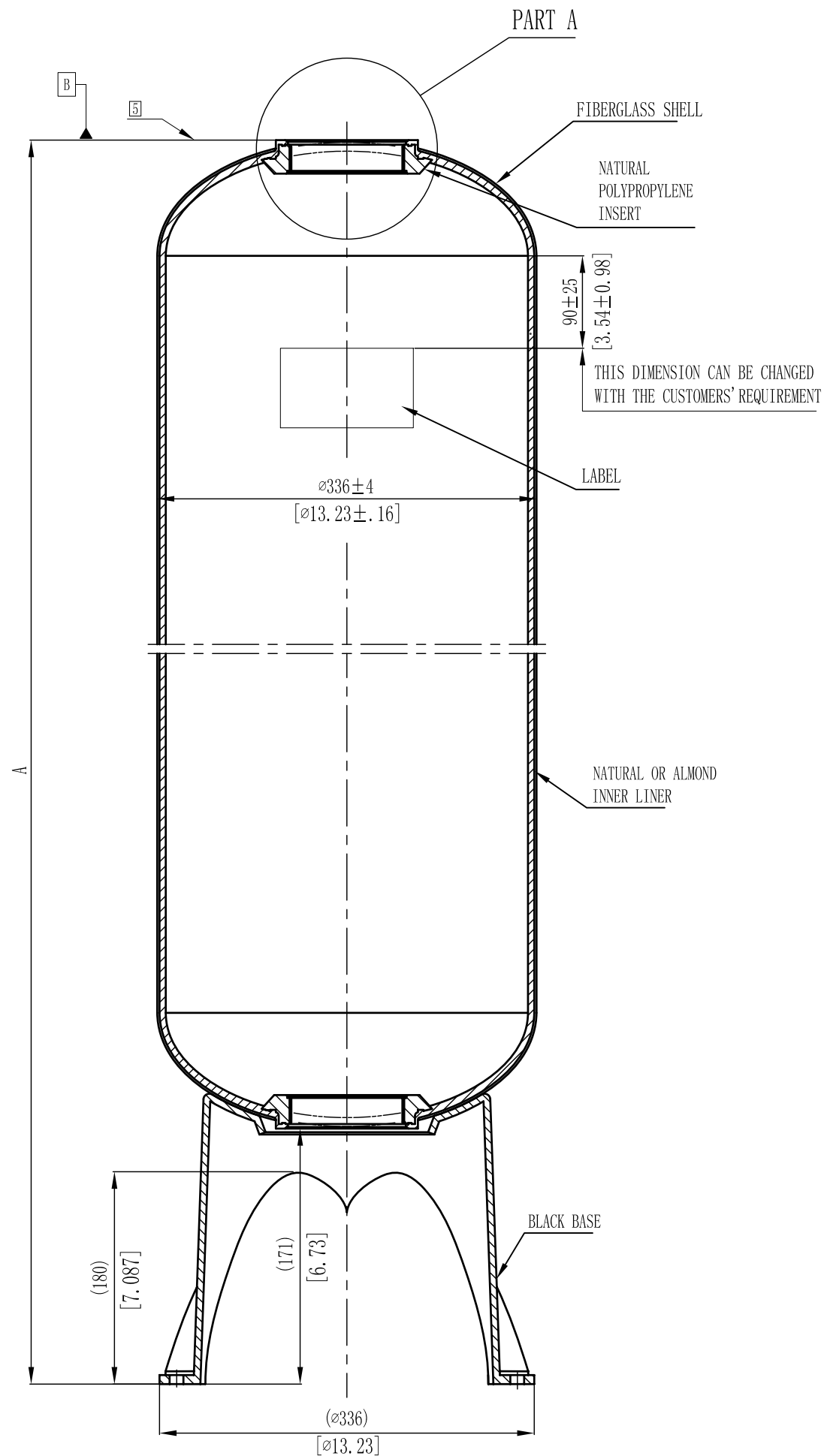


MODEL	A				VOLUME			DOME VOLUME			WEIGHT	
	mm	inch	+/-		liters	U.S. gal	cubic FT	liters	U.S. gal	cubic FT	Kg	LBS
13x44	1274	50.16	6	.24	84.8L	22.40	3.00	4.91	1.30.	0.17	8.84	19.45
13x54	1527	60.12	6	.24	105.7L	27.93	3.73	4.91	1.30.	0.17	11.23	24.71



NOTES:

- TANK MUST MEET ALL APPLICABLE SPECIFICATIONS OF NSF/ANSI 044 STANDARD, LATEST REVISION.
- OPERATING SPECIFICATIONS:
 - A. MAXIMUM WORKING PRESSURE - 150 PSI (10.5BAR)
 - B. TEMPERATURE RANGE - 34-120° F (1-49°C)
 - C. MAXIMUM VACUUM - 5"Hg (127mm Hg)
- VISUAL LINER INSPECTION
 - A. NO MORE THAN 10 INTERNAL OR EXTERNAL BLEMISHES OR BURNT DEBRIS.
 - B. NO INTERNAL OR EXTERNAL BLEMISHES OR BURNT DEBRIS LARGER THAN 3×3mm.
 - C. NO INTERNAL BLEMISHES OR BURNT DEBRIS ALLOWED.
- ALL GLASS STRANDS FROM FIBERGLASS LINER TO BE BONDED AND COVERED.
- SURFACE TO BE FREE OF NICKS, SCRATCHES, RESIN AND GLASS.
- DIMENSIONS IN PARENTHESIS ARE REFERENCE ONLY.
- DIMENSIONS IN SQUARE PARENTHESIS ARE INCH UNIT.
- USING A STANDARD LEVEL WITH TANK POSITIONED ON A LEVEL SURFACE, DATUM B TO BE PARALLEL WITH DATUM A. BUBBLE OF LEVEL MUST FALL COMPLETELY WITHIN LINES WHEN MEASURED AT 90° INTERVALS.

1	THIS DRAWING IS UPDATED COMPLYING WITH THE CHINESE VERSION		2009/06/11	
VERSION NO.	DESCRIPTION OF CHANGES:		SIGNATURE	DATE
REFERENTIAL PLASTIC SHRINKAGE (IF NECESSARY):				
SIGNATURE			WAVE CYBER (SHANGHAI) CO., LTD.	
DESIGN	NAME	DATE		
INSPECTION	SCALE		MATERIAL	MODEL
APPROVAL	1 : 5		SMOOTHNESS	DESCRIPTION
THIS PRODUCT DRAWING CAN NOT BE COPIED AND/OR USED WITHOUT PRIOR WRITTEN APPROVAL OF WAVE CYBER.			QUANTITY	13" (4-4) FRP PRESSURE VESSEL (DOUBLE OPENING)
			PROJECTION	DRAWING NO.
			COMPUTER CODE	VERSION NO.
			111134-00	1
DO NOT MEASURE THE DIMENSIONS.			UNIT: MM	TOTAL PAGE: 1