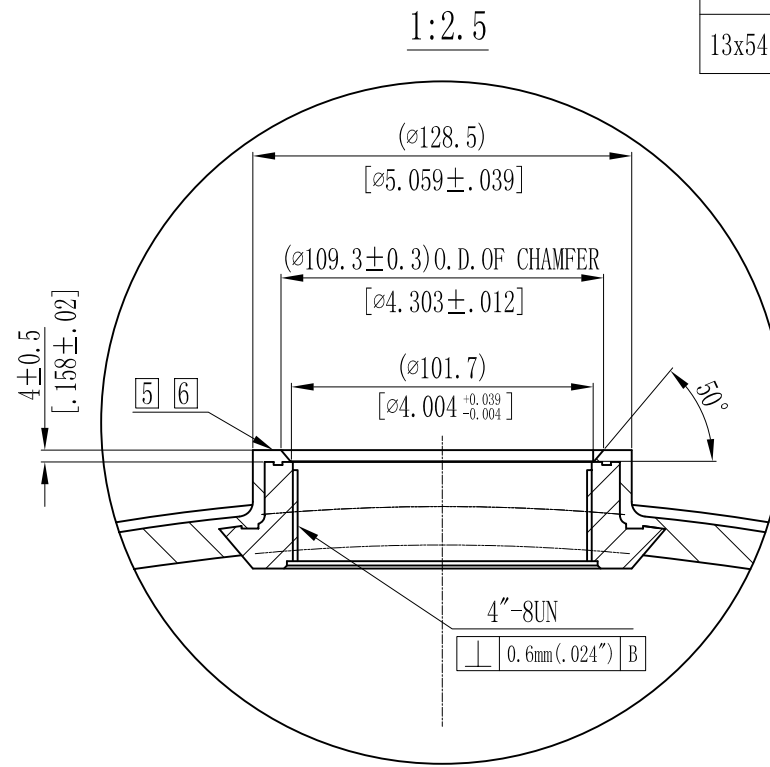
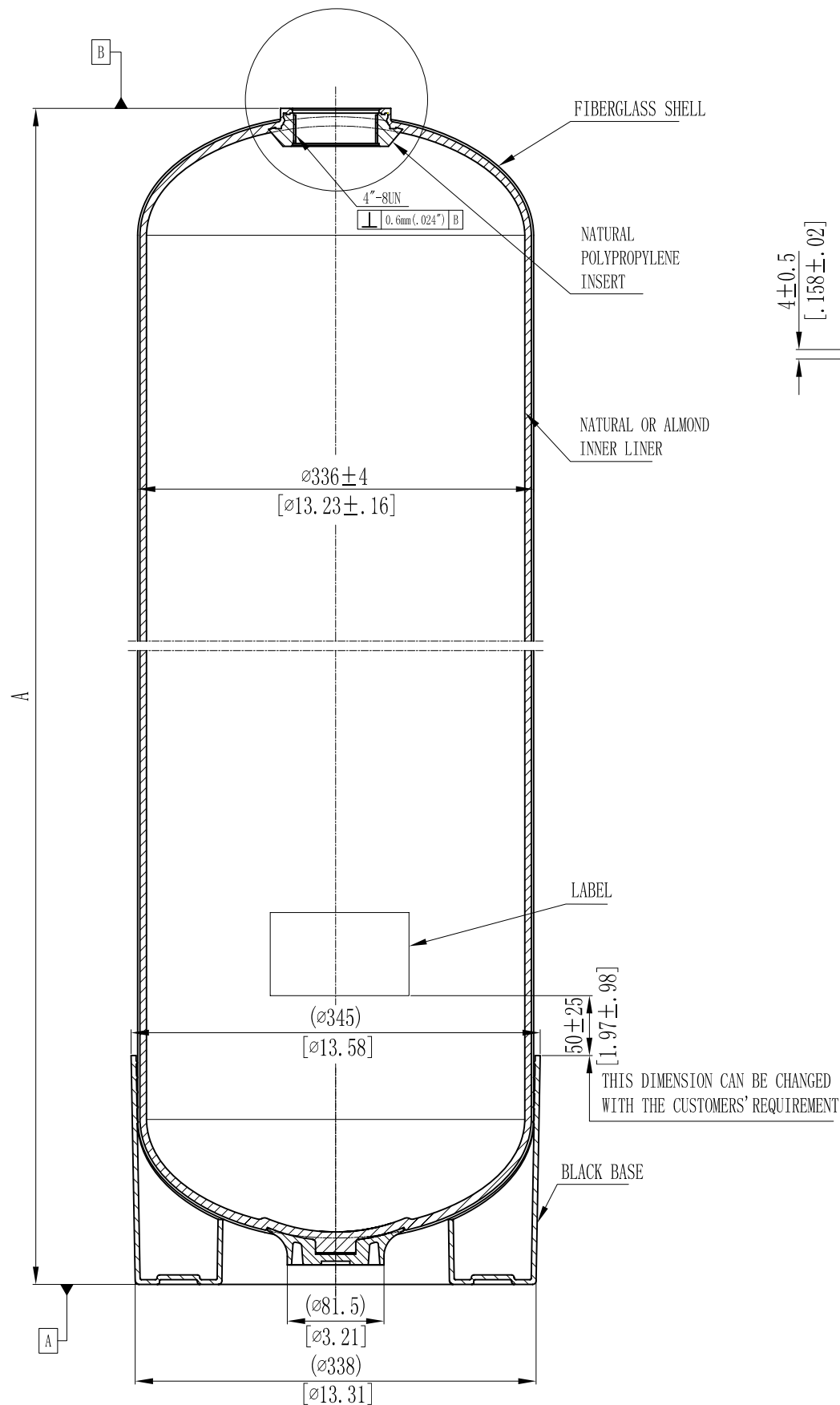


00-281111

MODEL	A				VOLUME			DOME VOLUME			WEIGHT	
	mm	inch	+/-		liters	U.S. gal	cubic FT	liters	U.S. gal	cubic FT	Kg	LBS
			mm	inch								
13x35	911	35.87	6	.24	62.8	16.59	2.22	4.91	1.30	0.17	7.37	16.21
13x44	1140	44.88	6	.24	84.8	22.41	3.00	4.91	1.30	0.17	9.18	20.20
13x54	1393	54.84	6	.24	105.7	27.93	3.73	4.91	1.30	0.17	10.80	23.76



NOTES:

- TANK MUST MEET ALL APPLICABLE SPECIFICATIONS OF NSF/ANSI 044 STANDARD, LATEST REVISION.
- OPERATING SPECIFICATIONS:
 - A. MAXIMUM WORKING PRESSURE - 150 PSI (10.5BAR)
 - B. TEMPERATURE RANGE - 34-120° F (1-49°C)
 - C. MAXIMUM VACUUM - 5"Hg (127mm Hg)
- VISUAL LINER INSPECTION
 - A. NO MORE THAN 10 INTERNAL OR EXTERNAL BLEMISHES OR BURNT DEBRIS.
 - B. NO INTERNAL OR EXTERNAL BLEMISHES OR BURNT DEBRIS LARGER THAN 3×3mm.
 - C. NO INTERNAL BLEMISHES OR BURNT DEBRIS ALLOWED.
- ALL GLASS STRANDS FROM FIBERGLASS LINER TO BE BONDED AND COVERED.
- [5]. SURFACE TO BE FREE OF NICKS, SCRATCHES, RESIN AND GLASS.
- [6]. SURFACE FINISH.
- DIMENSIONS IN PARENTHESIS ARE REFERENCE ONLY.
- DIMENSIONS IN SQUARE PARENTHESIS ARE INCH UNIT.
- USING A STANDARD LEVEL WITH TANK POSITIONED ON A LEVEL SURFACE, DATUM B TO BE PARALLEL WITH DATUM A. BUBBLE OF LEVEL MUST FALL COMPLETELY WITHIN LINES WHEN MEASURED AT 90° INTERVALS.

5	THIS DRAWING IS UPDATED COMPLYING WITH THE CHINESE VERSION		2010/12/14
VERSION NO.	DESCRIPTION OF CHANGES:		SIGNATURE DATE
REFERENTIAL PLASTIC SHRINKAGE (IF NECESSARY):		SIGNATURE	
DESIGN	NAME	DATE	WAVE CYBER (SHANGHAI) CO., LTD.
INSPECTION	SCALE		
APPROVAL	DATE		
THIS PRODUCT DRAWING CAN NOT BE COPIED AND/OR USED WITHOUT PRIOR WRITTEN APPROVAL OF WAVE CYBER.		SCALE	MODEL
		1 : 5	DESCRIPTION
		QUANTITY	SMOOTHNESS
		PROJECTION	COMPUTER CODE
		DRAWING NO.	VERSION NO.
		111132-00	5
DO NOT MEASURE THE DIMENSIONS.		UNIT: MM	TOTAL PAGE: 1