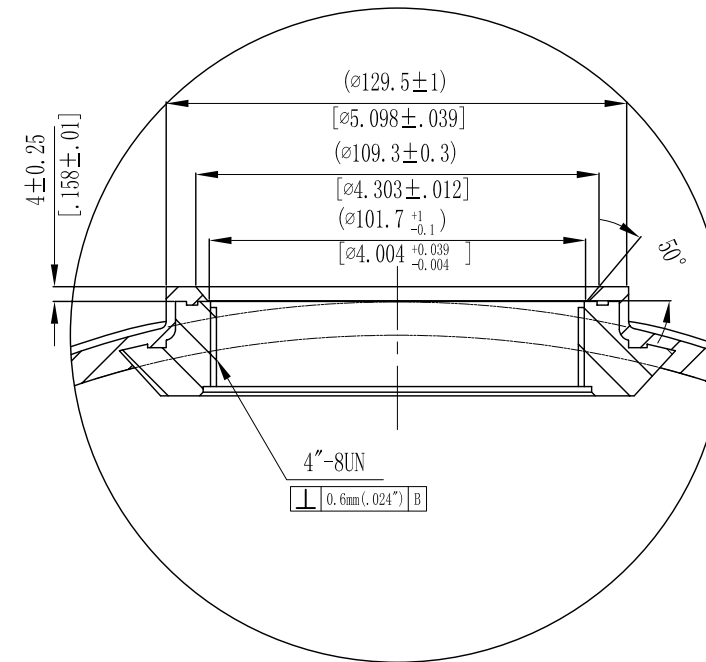


MODEL	A				VOLUME			DOME VOLUME			WEIGHT	
	mm	inch	+/-		liters	U.S. gal	cubic FT	liters	U.S. gal	cubic FT	Kg	LBS
14x52	1524	61.00	6	.24	115L	30.38	4.06	6.16	1.63	0.22	12.66	27.85
14x65	1858	73.15	6	.24	148L	39.10	5.23	6.16	1.63	0.22	14.91	32.80

Part A 1:2



NOTES:

- TANK MUST MEET ALL APPLICABLE SPECIFICATIONS OF NSF/ANSI 044 STANDARD, LATEST REVISION.
- OPERATING SPECIFICATIONS:
  - MAXIMUM WORKING PRESSURE - 150 PSI (10.5BAR)
  - TEMPERATURE RANGE - 34-120° F (1-49°C)
  - MAXIMUM VACUUM - 5"Hg (127mm Hg)
- VISUAL LINER INSPECTION
  - NO MORE THAN 10 INTERNAL OR EXTERNAL BLEMISHES OR BURNT DEBRIS.
  - NO INTERNAL OR EXTERNAL BLEMISHES OR BURNT DEBRIS LARGER THAN 3×3mm.
  - NO INTERNAL BLEMISHES OR BURNT DEBRIS ALLOWED.
- ALL GLASS STRANDS FROM FIBERGLASS LINER TO BE BONDED AND COVERED.
- SURFACE TO BE FREE OF NICKS, SCRATCHES, RESIN AND GLASS.
- SURFACE FINISH.
- DIMENSIONS IN PARENTHESIS ARE REFERENCE ONLY.
- DIMENSIONS IN SQUARE PARENTHESIS ARE INCH UNIT.
- USING A STANDARD LEVEL WITH TANK POSITIONED ON A LEVEL SURFACE, DATUM B TO BE PARALLEL WITH DATUM A. BUBBLE OF LEVEL MUST FALL COMPLETELY WITHIN LINES WHEN MEASURED AT 90° INTERVALS.

2	THIS DRAWING IS UPDATED COMPLYING WITH THE CHINESE VERSION		2010/12/03
VERSION NO.	DESCRIPTION OF CHANGES:		SIGNATURE
REFERENTIAL PLASTIC SHRINKAGE (IF NECESSARY):		DATE	
SIGNATURE		WAVE CYBER (SHANGHAI) CO., LTD.	
DESIGN	NAME		
INSPECTION	SCALE		MATERIAL
APPROVAL	1 : 5		MODEL
THIS PRODUCT DRAWING CAN NOT BE COPIED AND/OR USED WITHOUT PRIOR WRITTEN APPROVAL OF WAVE CYBER.		QUANTITY	SMOOTHNESS
		PROJECTION	COMPUTER CODE
		DRAWING NO.	VERSION NO.
		111144-00	2
DO NOT MEASURE THE DIMENSIONS.		UNIT: MM	TOTAL PAGE: 1