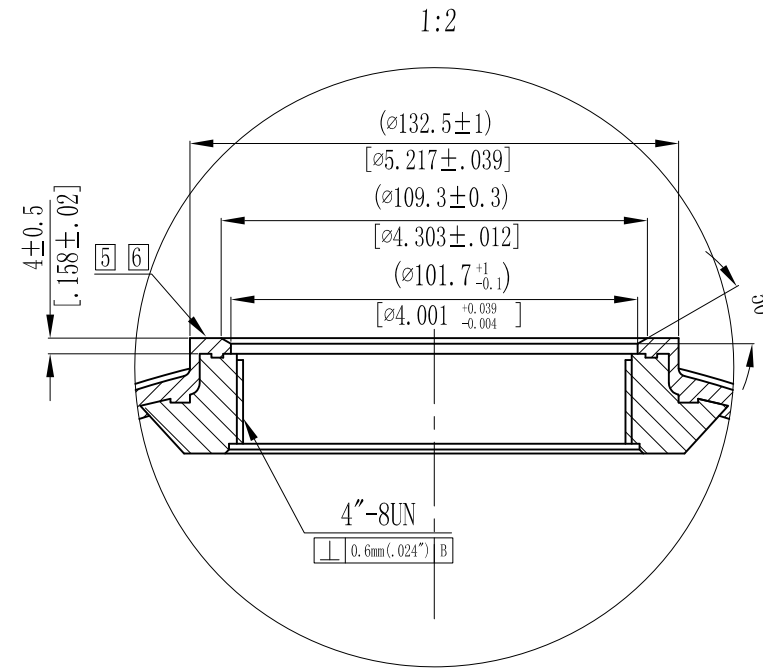
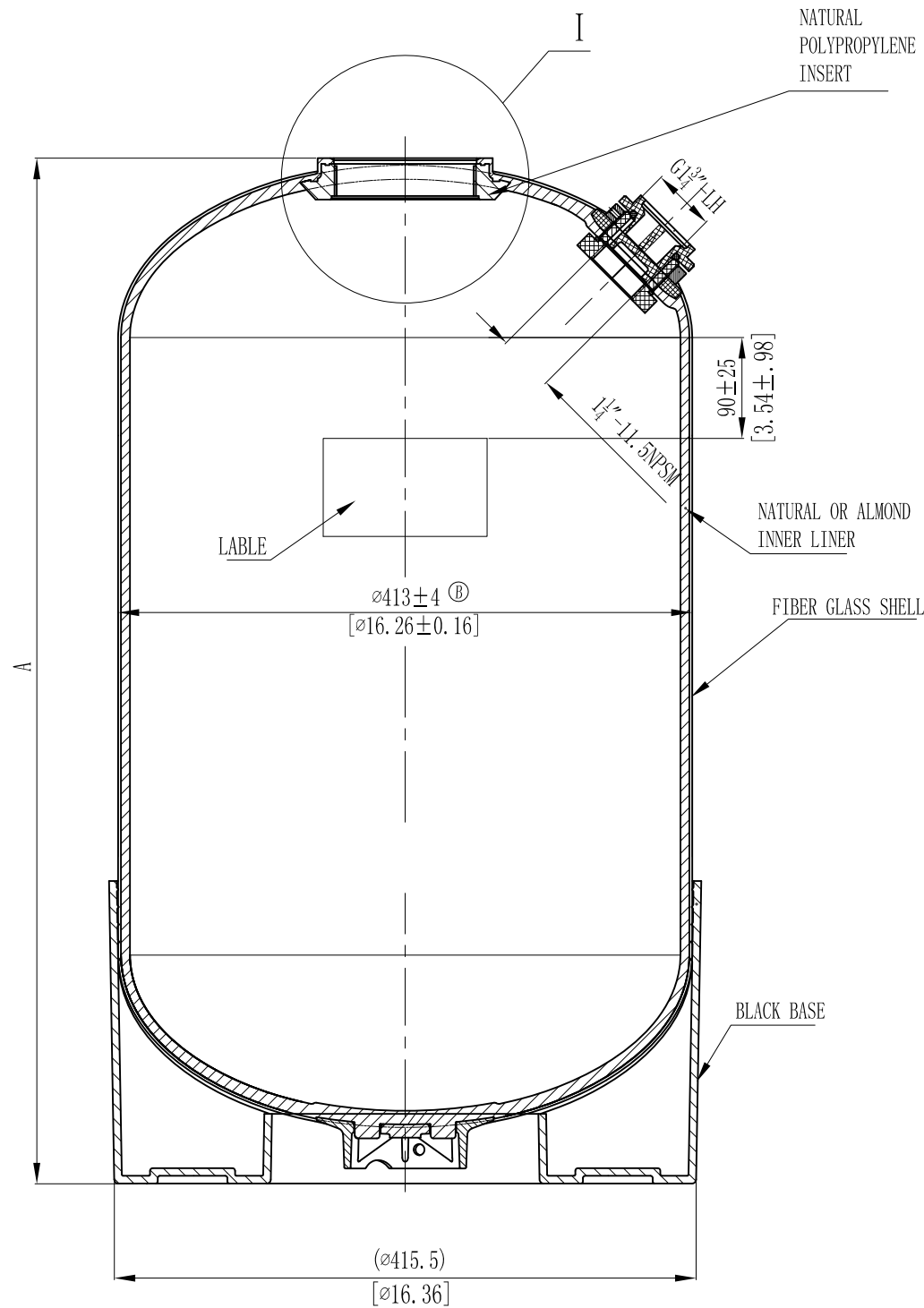


MODEL	A				VOLUME			DOME VOLUME			WEIGHT	
	mm	inch	mm +/-	inch +/-	liters	U. S. gal	cubic FT	liters	U. S. gal	cubic FT	Kg	LBS
16x28	731	28.78	4	0.16	76	20.08	2.69	9.15	2.42	0.32	10.7	23.54



NOTES:

- TANK MUST MEET ALL APPLICABLE SPECIFICATIONS OF NSF/ANSI 044 STANDARD, LATEST REVISION.
- OPERATING SPECIFICATIONS:
 - A. MAXIMUM WORKING PRESSURE - 150 PSI (10.5BAR)
 - B. TEMPERATURE RANGE - 34-120° F (1-49°C)
 - C. MAXIMUM VACUUM - 5"Hg (127mm Hg)
- VISUAL LINER INSPECTION
 - A. NO MORE THAN 10 INTERNAL OR EXTERNAL BLEMISHES OR BURNT DEBRIS.
 - B. NO INTERNAL OR EXTERNAL BLEMISHES OR BURNT DEBRIS LARGER THAN 3×3mm.
 - C. NO INTERNAL BLEMISHES OR BURNT DEBRIS ALLOWED.
- ALL GLASS STRANDS FROM FIBERGLASS LINER TO BE BONDED AND COVERED.
- SURFACE TO BE FREE OF NICKS, SCRATCHES, RESIN AND GLASS.
- SURFACE FINISH.
- DIMENSIONS IN PARENTHESIS ARE REFERENCE ONLY.
- DIMENSIONS IN SQUARE PARENTHESIS ARE INCH UNIT.

2	DIMENSION B CHANGED:			2011/08/15		
1	DIMENSION A CHANGED:			2008/07/21		
VERSION NO.	DESCRIPTION OF CHANGES:			SIGNATURE	DATE	
REFERENTIAL PLASTIC SHRINKAGE (IF NECESSARY):		SIGNATURE			WAVE CYBER (SHANGHAI) CO., LTD.	
DESIGN	NAME	DATE	SCALE	MATERIAL		
INSPECTION			1 : 5		MODEL	
APPROVAL			QUANTITY	SMOOTHNESS	DESCRIPTION	
THIS PRODUCT DRAWING CAN NOT BE COPIED AND/OR USED WITHOUT PRIOR WRITTEN APPROVAL OF WAVE CYBER.			PROJECTION	COMPUTER CODE	DRAWING NO.	VERSION NO.
					112162-00	2
DO NOT MEASURE THE DIMENSIONS.				UNIT: MM	TOTAL PAGE: 1	