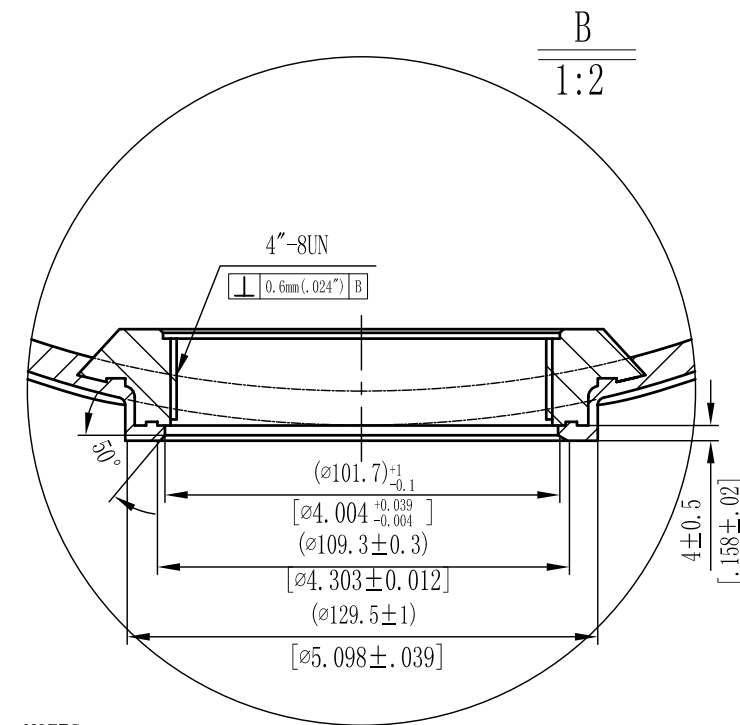
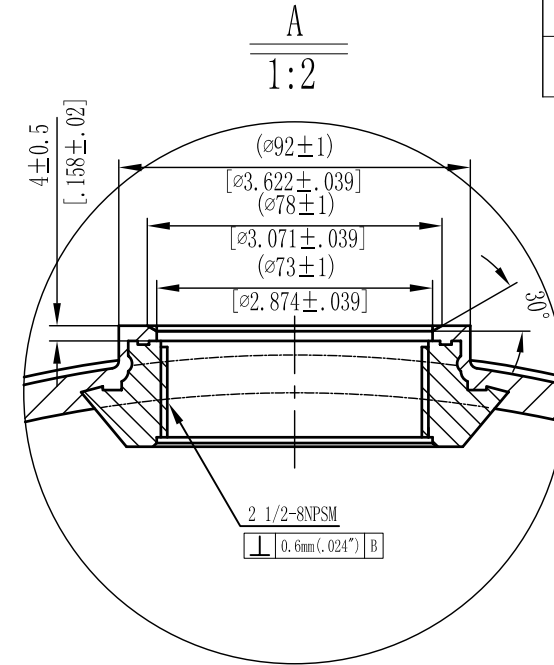
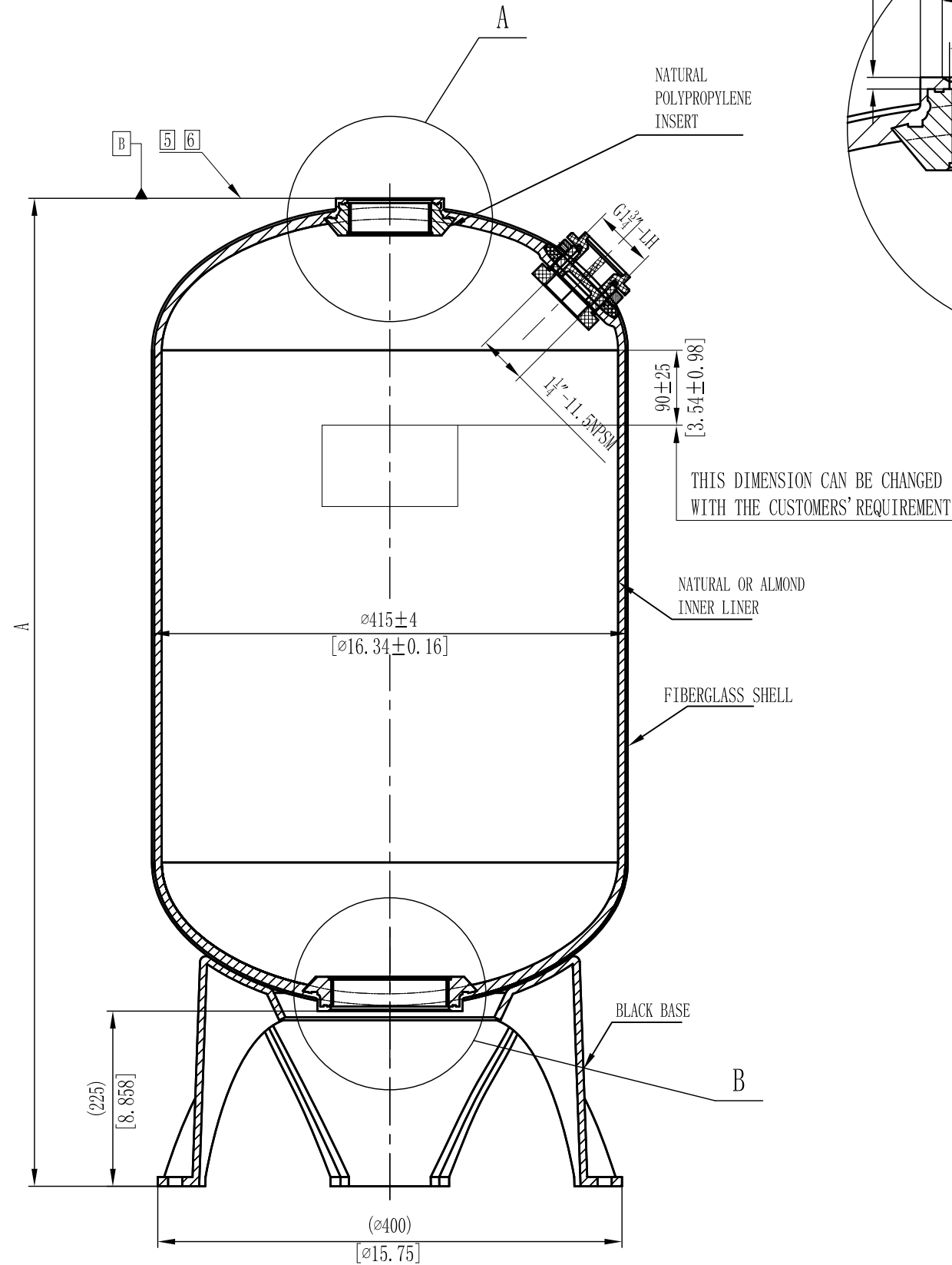


MODEL	A		VOLUME			DOME VOLUME			WEIGHT			
	mm	inch	mm	inch	liters	U.S. gal	cubic FT	liters	U.S. gal	cubic FT	Kg	LBS
16x28	922	36.30	4	0.16	76	20.08	2.69	9.15	2.42	0.32	10.75	23.65
16x65	1867	73.50	4	0.16	194	51.25	6.86	9.15	2.42	0.32	23.92	52.62



NOTES:

- TANK MUST MEET ALL APPLICABLE SPECIFICATIONS OF NSF/ANSI 044 STANDARD, LATEST REVISION.
- OPERATING SPECIFICATIONS:
 - A. MAXIMUM WORKING PRESSURE - 150 PSI (10.5BAR)
 - B. TEMPERATURE RANGE - 34-120° F (1-49°C)
 - C. MAXIMUM VACUUM - 5"Hg (127mm Hg)
- VISUAL LINER INSPECTION
 - A. NO MORE THAN 10 INTERNAL OR EXTERNAL BLEMISHES OR BURNT DEBRIS.
 - B. NO INTERNAL OR EXTERNAL BLEMISHES OR BURNT DEBRIS LARGER THAN 3×3mm.
 - C. NO INTERNAL BLEMISHES OR BURNT DEBRIS ALLOWED.
- ALL GLASS STRANDS FROM FIBERGLASS LINER TO BE BONDED AND COVERED.
- SURFACE TO BE FREE OF NICKS, SCRATCHES, RESIN AND GLASS.
- SURFACE FINISH.
- DIMENSIONS IN PARENTHESIS ARE REFERENCE ONLY.
- DIMENSIONS IN SQUARE PARENTHESIS ARE INCH UNIT.
- USING A STANDARD LEVEL WITH TANK POSITIONED ON A LEVEL SURFACE, DATUM B TO BE PARALLEL WITH DATUM A. BUBBLE OF LEVEL MUST FALL COMPLETELY WITHIN LINES WHEN MEASURED AT 90° INTERVALS.

1	ADD SPEC 16*65			2009/03/19
VERSION NO.	DESCRIPTION OF CHANGES:			SIGNATURE
REFERENTIAL PLASTIC SHRINKAGE (IF NECESSARY):				
SIGNATURE		WAVE CYBER (SHANGHAI) CO., LTD.		
DESIGN	SCALE	MATERIAL	MODEL	
INSPECTION	1 : 5		DESCRIPTION	
APPROVAL	QUANTITY	SMOOTHNESS	16'' (2.5''-4'') FRP PRESSURE VESSEL (DOME HOLE)	
THIS PRODUCT DRAWING CAN NOT BE COPIED AND/OR USED WITHOUT PRIOR WRITTEN APPROVAL OF WAVE CYBER.		PROJECTION	COMPUTER CODE	DRAWING NO.
				112160-00
		DO NOT MEASURE THE DIMENSIONS.	UNIT: MM	TOTAL PAGE: 1