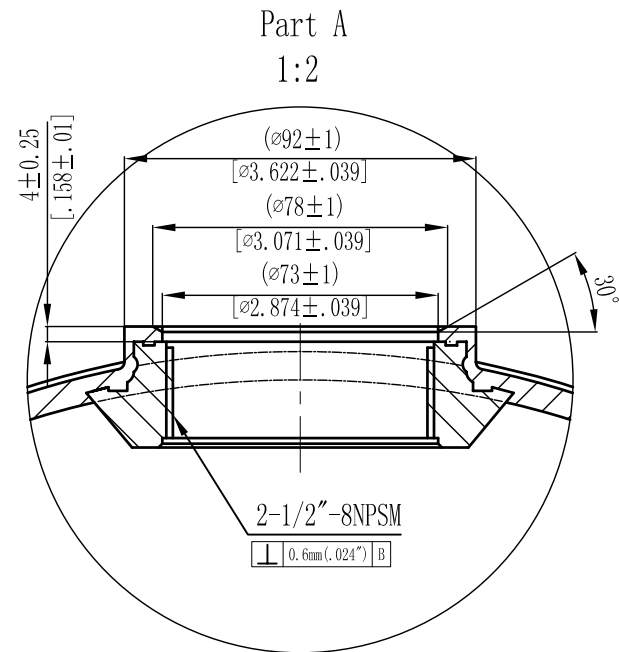


MODEL	A		VOLUME			DOME VOLUME			WEIGHT			
	mm	inch	+/-		liters	U.S. gal	cubic FT	liters	U.S. gal	cubic FT	Kg	LBS
16x52	1531	60.28	6	.24	153L	40.42	5.41	9.15	2.42	0.32	15.75	34.65
16x65	1861	73.27	6	.24	194L	51.25	6.86	9.15	2.42	0.32	18.65	41.03



- NOTES:
- TANK MUST MEET ALL APPLICABLE SPECIFICATIONS OF NSF/ANSI 044 STANDARD, LATEST REVISION.
 - OPERATING SPECIFICATIONS:
 - A. MAXIMUM WORKING PRESSURE - 150 PSI (10.5BAR)
 - B. TEMPERATURE RANGE - 34-120° F (1-49°C)
 - C. MAXIMUM VACUUM - 5"Hg (127mm Hg)
 - VISUAL LINER INSPECTION
 - A. NO MORE THAN 10 INTERNAL OR EXTERNAL BLEMISHES OR BURNT DEBRIS.
 - B. NO INTERNAL OR EXTERNAL BLEMISHES OR BURNT DEBRIS LARGER THAN 3×3mm.
 - C. NO INTERNAL BLEMISHES OR BURNT DEBRIS ALLOWED.
 - ALL GLASS STRANDS FROM FIBERGLASS LINER TO BE BONDED AND COVERED.
 - SURFACE TO BE FREE OF NICKS, SCRATCHES, RESIN AND GLASS.
 - SURFACE FINISH.
 - DIMENSIONS IN PARENTHESIS ARE REFERENCE ONLY.
 - DIMENSIONS IN SQUARE PARENTHESIS ARE INCH UNIT.
 - USING A STANDARD LEVEL WITH TANK POSITIONED ON A LEVEL SURFACE, DATUM B TO BE PARALLEL WITH DATUM A. BUBBLE OF LEVEL MUST FALL COMPLETELY WITHIN LINES WHEN MEASURED AT 90° INTERVALS.

0	THIS DRAWING IS UPDATED COMPLYING WITH THE CHINESE VERSION		2008/07/21	
VERSION NO.	DESCRIPTION OF CHANGES:		SIGNATURE	DATE
REFERENTIAL PLASTIC SHRINKAGE (IF NECESSARY):				
SIGNATURE		WAVE CYBER (SHANGHAI) CO., LTD.		
DESIGN	NAME			
INSPECTION	SCALE		MATERIAL	MODEL
APPROVAL	1 : 5		SMOOTHNESS	DESCRIPTION
THIS PRODUCT DRAWING CAN NOT BE COPIED AND/OR USED WITHOUT PRIOR WRITTEN APPROVAL OF WAVE CYBER.		QUANTITY	COMPUTER CODE	16" (2.5-2.5) FRP PRESSURE VESSEL (DOUBLE OPENING)
		PROJECTION	DRAWING NO.	VERSION NO.
		DO NOT MEASURE THE DIMENSIONS.	UNIT: MM	TOTAL PAGE: 1