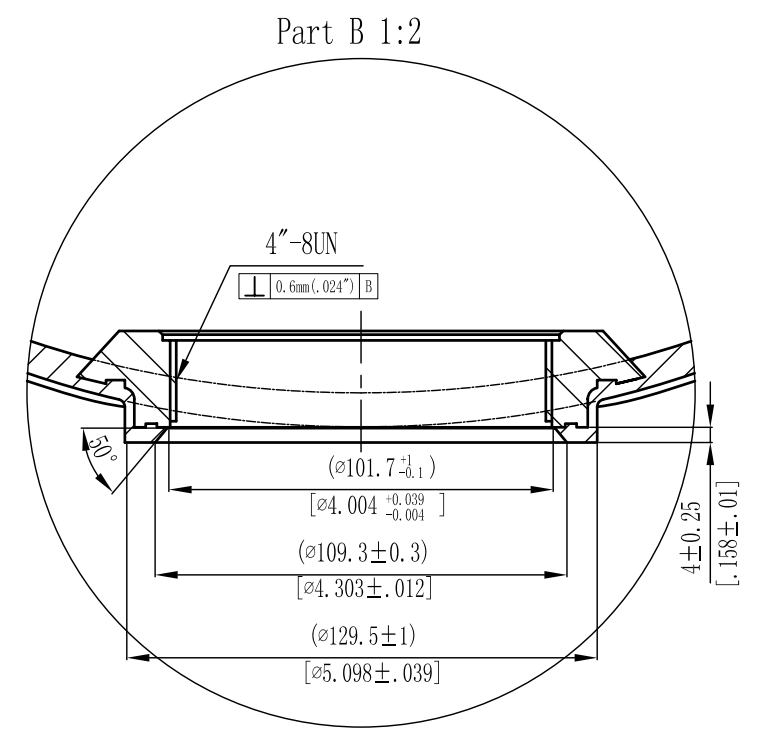
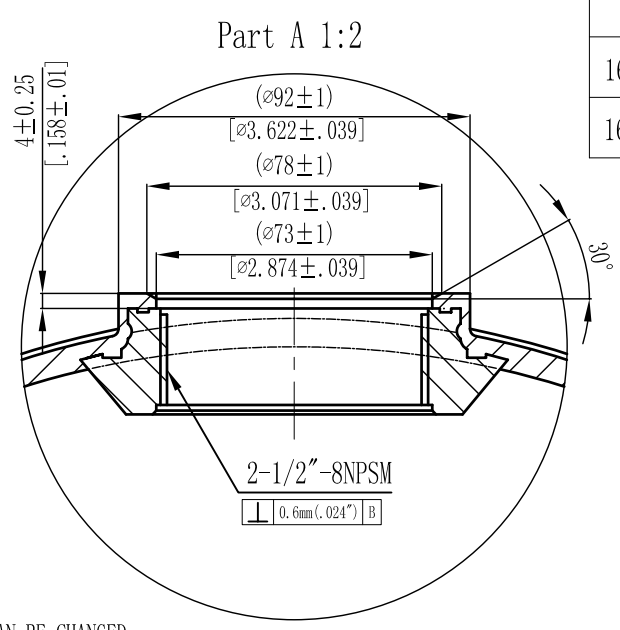
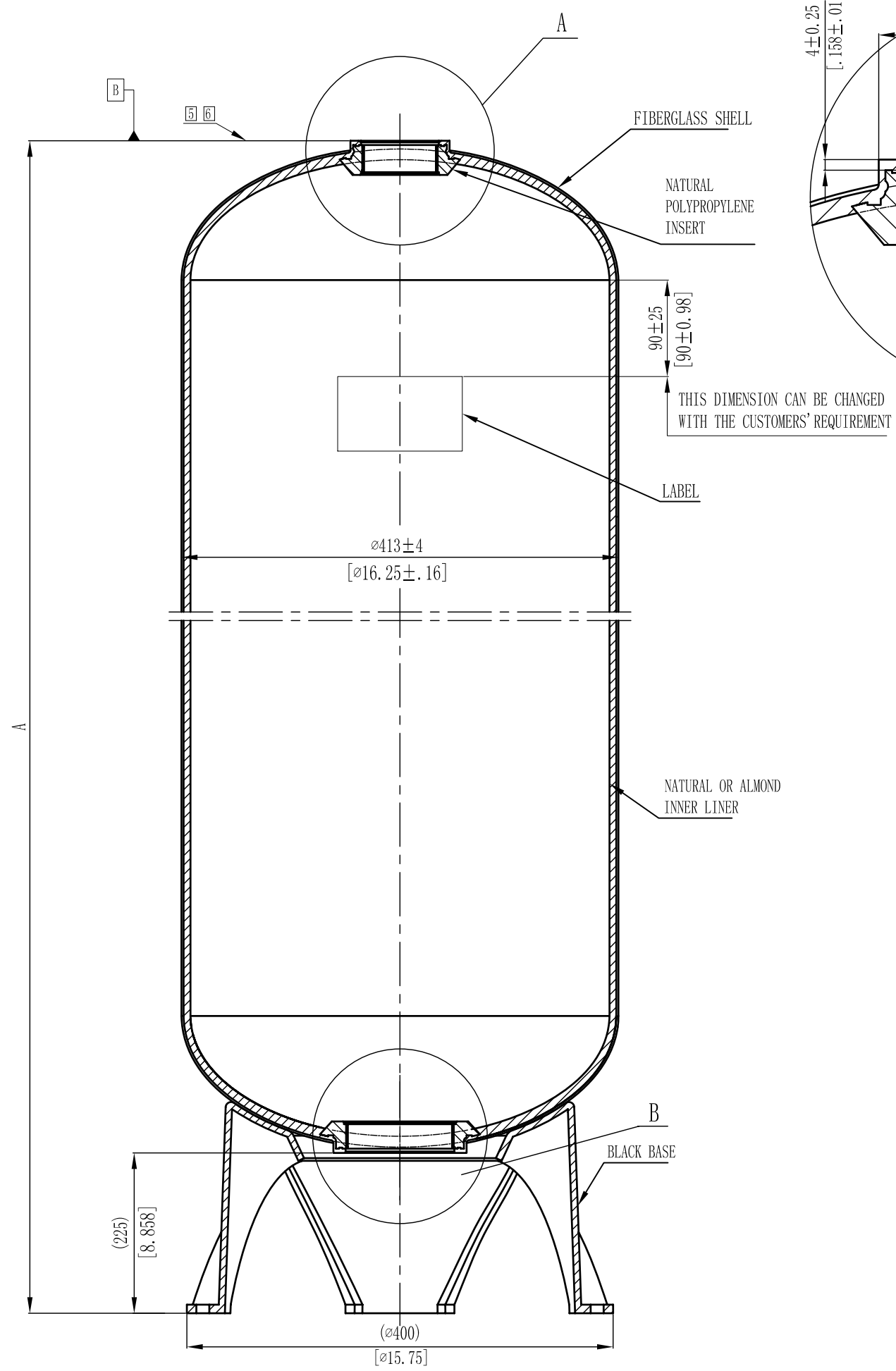


MODEL	A		VOLUME			DOME VOLUME			WEIGHT			
	mm	inch	+/-		liters	U.S. gal	cubic FT	liters	U.S. gal	cubic FT	Kg	LBS
16x52	1531	60.28	6	.24	153L	40.42	5.41	9.15	2.42	0.32	15.75	34.65
16x65	1861	73.27	6	.24	194L	51.25	6.86	9.15	2.42	0.32	18.65	41.03



NOTES:

- TANK MUST MEET ALL APPLICABLE SPECIFICATIONS OF NSF/ANSI 044 STANDARD, LATEST REVISION.
- OPERATING SPECIFICATIONS:
 - A. MAXIMUM WORKING PRESSURE - 150 PSI (10.5 BAR)
 - B. TEMPERATURE RANGE - 34-120° F (1-49°C)
 - C. MAXIMUM VACUUM - 5" Hg (127mm Hg)
- VISUAL LINER INSPECTION
 - A. NO MORE THAN 10 INTERNAL OR EXTERNAL BLEMISHES OR BURNT DEBRIS.
 - B. NO INTERNAL OR EXTERNAL BLEMISHES OR BURNT DEBRIS LARGER THAN 3×3mm.
 - C. NO INTERNAL BLEMISHES OR BURNT DEBRIS ALLOWED.
- ALL GLASS STRANDS FROM FIBERGLASS LINER TO BE BONDED AND COVERED.
- SURFACE TO BE FREE OF NICKS, SCRATCHES, RESIN AND GLASS.
- SURFACE FINISH.
- DIMENSIONS IN PARENTHESIS ARE REFERENCE ONLY.
- DIMENSIONS IN SQUARE PARENTHESIS ARE INCH UNIT.
- USING A STANDARD LEVEL WITH TANK POSITIONED ON A LEVEL SURFACE, DATUM B TO BE PARALLEL WITH DATUM A. BUBBLE OF LEVEL MUST FALL COMPLETELY WITHIN LINES WHEN MEASURED AT 90° INTERVALS.

0	THIS DRAWING IS UPDATED COMPLYING WITH THE CHINESE VERSION		2008/07/21
VERSION NO.	DESCRIPTION OF CHANGES:		SIGNATURE
REFERENTIAL PLASTIC SHRINKAGE (IF NECESSARY):			
SIGNATURE		WAVE CYBER (SHANGHAI) CO., LTD.	
DESIGN	NAME	DATE	
INSPECTION	SCALE 1:5		MATERIAL
APPROVAL	QUANTITY		SMOOTHNESS
THIS PRODUCT DRAWING CAN NOT BE COPIED AND/OR USED WITHOUT PRIOR WRITTEN APPROVAL OF WAVE CYBER.		PROJECTION	COMPUTER CODE
		DRAWING NO. 111160-00	VERSION NO. 0
DO NOT MEASURE THE DIMENSIONS.		UNIT: MM	TOTAL PAGE: 1