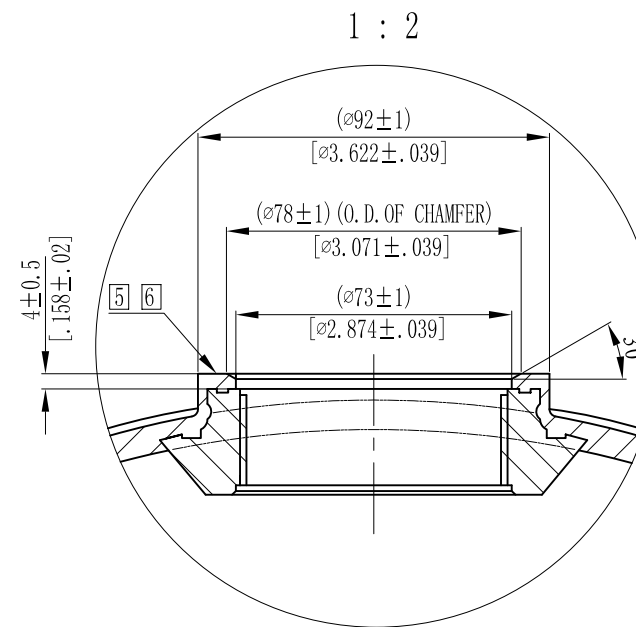
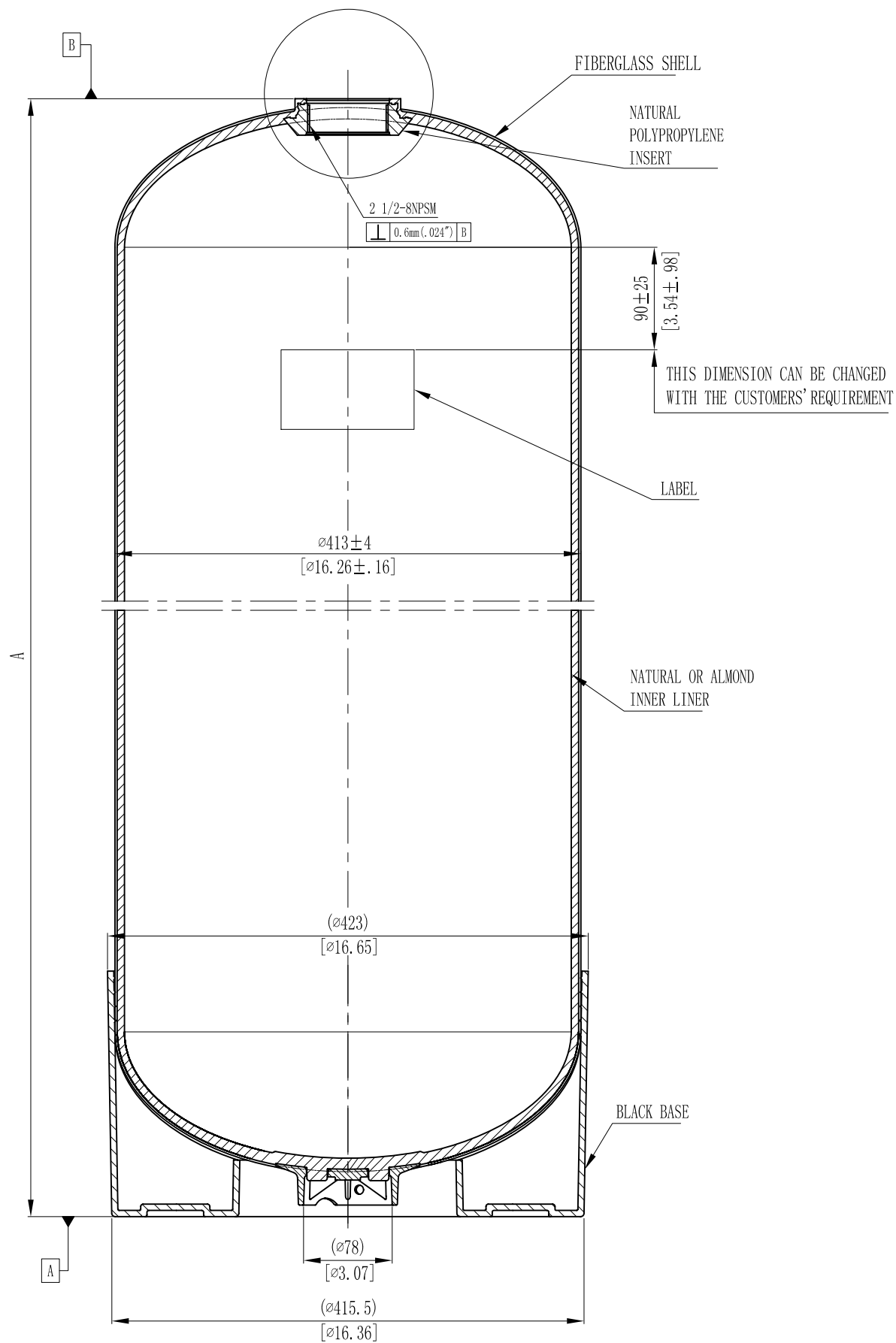


MODEL	A		VOLUME			DOME VOLUME			WEIGHT			
	mm	inch	+/-		liters	U.S. gal	cubic FT	liters	U.S. gal	cubic FT	Kg	LBS
16x65	1671	65.79	6	.24	194	51.3	6.86	9.15	2.42	0.32	18.65	41.03
16x52	1341	52.80	6	.24	153	40.4	5.41	9.15	2.42	0.32	15.65	34.47



NOTES:

- TANK MUST MEET ALL APPLICABLE SPECIFICATIONS OF NSF/ANSI 044 STANDARD, LATEST REVISION.
- OPERATING SPECIFICATIONS:
  - A. MAXIMUM WORKING PRESSURE - 150 PSI (10.5BAR)
  - B. TEMPERATURE RANGE - 34-120° F (1-49°C)
  - C. MAXIMUM VACUUM - 5"Hg (127mm Hg)
- VISUAL LINER INSPECTION
  - A. NO MORE THAN 10 INTERNAL OR EXTERNAL BLEMISHES OR BURNT DEBRIS.
  - B. NO INTERNAL OR EXTERNAL BLEMISHES OR BURNT DEBRIS LARGER THAN 3×3mm.
  - C. NO INTERNAL BLEMISHES OR BURNT DEBRIS ALLOWED.
- ALL GLASS STRANDS FROM FIBERGLASS LINER TO BE BONDED AND COVERED.
- SURFACE TO BE FREE OF NICKS, SCRATCHES, RESIN AND GLASS.
- SURFACE FINISH.
- DIMENSIONS IN PARENTHESIS ARE REFERENCE ONLY.
- DIMENSIONS IN SQUARE PARENTHESIS ARE INCH UNIT.
- USING A STANDARD LEVEL WITH TANK POSITIONED ON A LEVEL SURFACE, DATUM B TO BE PARALLEL WITH DATUM A. BUBBLE OF LEVEL MUST FALL COMPLETELY WITHIN LINES WHEN MEASURED AT 90° INTERVALS.

2	THIS DRAWING IS UPDATED COMPLYING WITH THE CHINESE VERSION			2008/07/21	
VERSION NO.	DESCRIPTION OF CHANGES:			SIGNATURE	DATE
REFERENTIAL PLASTIC SHRINKAGE (IF NECESSARY):					
SIGNATURE		WAVE CYBER (SHANGHAI) CO., LTD.			
DESIGN	NAME				
INSPECTION			1 : 5		
APPROVAL			QUANTITY	SMOOTHNESS	MODEL DESCRIPTION
THIS PRODUCT DRAWING CAN NOT BE COPIED AND/OR USED WITHOUT PRIOR WRITTEN APPROVAL OF WAVE CYBER.			PROJECTION	COMPUTER CODE	DRAWING NO.
					111161-00
DO NOT MEASURE THE DIMENSIONS.			UNIT: MM	TOTAL PAGE: 1	