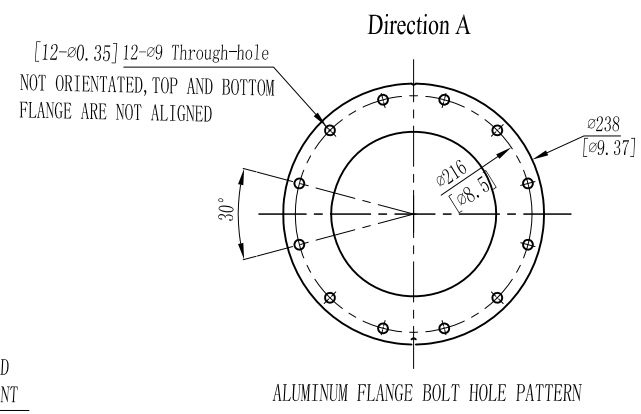


MODEL	VOLUME			DOME VOLUME			WEIGHT	
	liters	U.S. gal	cubic FT	liters	U.S. gal	cubic FT	Kg	LBS
18x65	261	68.96	9.22	17.3	4.57	0.61	41.5	91.3



- NOTES:
- TANK MUST MEET ALL APPLICABLE SPECIFICATIONS OF NSF/ANSI 044 STANDARD, LATEST REVISION.
  - OPERATING SPECIFICATIONS:
    - MAXIMUM WORKING PRESSURE - 150 PSI (10.5BAR)
    - TEMPERATURE RANGE - 34-150° F (1-65°C)
    - MAXIMUM VACUUM - 5"Hg (127mm Hg)
  - VISUAL LINER INSPECTION
    - NO MORE THAN 20 INTERNAL OR EXTERNAL BLEMISHES OR BURNT DEBRIS.
    - NO INTERNAL OR EXTERNAL BLEMISHES OR BURNT DEBRIS LARGER THAN 5×5mm.
    - NO INTERNAL BLEMISHES OR BURNT DEBRIS ALLOWED.
  - ALL GLASS STRANDS FROM FIBERGLASS LINER TO BE BONDED AND COVERED.
  - SURFACE TO BE FREE OF NICKS, SCRATCHES, RESIN AND GLASS.
  - SURFACE FINISH.
  - DIMENSIONS IN PARENTHESIS ARE REFERENCE ONLY.
  - DIMENSIONS IN SQUARE PARENTHESIS ARE INCH UNTI.
  - TANK TO BE BONDED TO BASE.
  - USING A STANDARD LEVEL WITH TANK POSITIONED ON A LEVEL SURFACE, DATUM B TO BE PARALLEL WITH DATUM A. BUBBLE OF LEVEL MUST FALL COMPLETELY WITHIN LINES WHEN MEASURED AT 90° INTERVALS WHEN PLACED ON THE TOP OF THE FLANGE.
  - AFTER THE TANK IS LEVELED, IT IS RECOMMENDED THAT THE TANK BE BOLTED TO THE FLOOR IN SIX POSITIONS PER THE TRIPOD BASE BOLT HOLE PATTERN WITH 3/8" ANCHORS.

5	DIMENSION A CHANGED			2011/08/29	
4	THIS DRAWING IS UPDATED COMPLYING WITH THE CHINESE VERSION			2008/10/30	
VERSION NO.	DESCRIPTION OF CHANGES:		SIGNATURE	DATE	
REFERENTIAL PLASTIC SHRINKAGE (IF NECESSARY):					
SIGNATURE			<b>WAVE CYBER (SHANGHAI) CO., LTD.</b>		
DESIGN	NAME	DATE			
INSPECTION			SCALE	MATERIAL	MODEL
APPROVAL			1 : 5		DESCRIPTION
THIS PRODUCT DRAWING CAN NOT BE COPIED AND/OR USED WITHOUT PRIOR WRITTEN APPROVAL OF WAVE CYBER.			QUANTITY	SMOOTHNESS	18" FRP PRESSURE VESSEL (SINGLE FLANGE OPENING)
			PROJECTION	COMPUTER CODE	DRAWING NO.
			DO NOT MEASURE THE DIMENSIONS.	UNIT: MM	TOTAL PAGE: 1