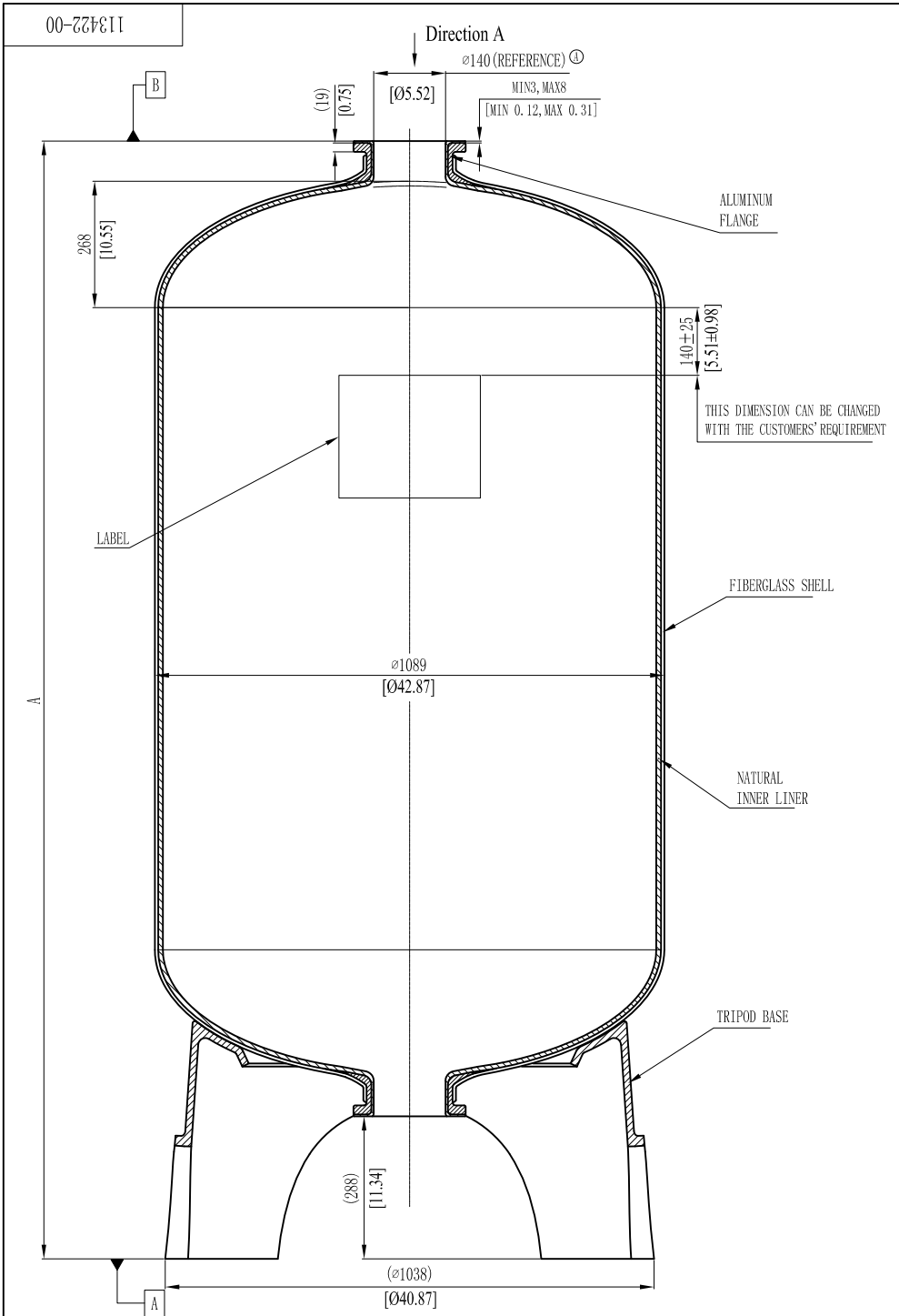
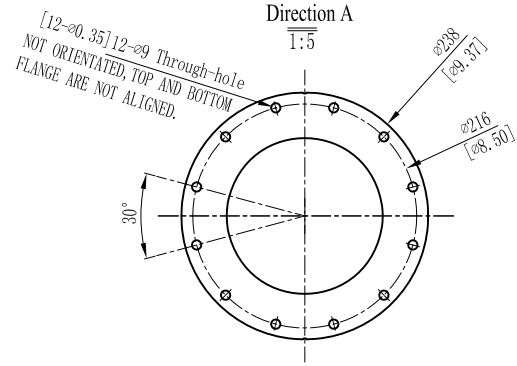


00-22113422-00



MODEL	A				VOLUME			DOME VOLUME			WEIGHT	
	mm	inch	+/-		liters	U.S. gal	cubic FT	liters	U.S. gal	cubic FT	Kg	LBS
42x72	2396	94.33	15	0.59	1494	394.7	52.8	150.6	39.79	5.32	215	473
42x63	2142	84.33	15	0.59	1274	336.6	45.0	150.6	39.79	5.32	195	429



- NOTES:
- TANK MUST MEET ALL APPLICABLE SPECIFICATIONS OF NSF/ANSI 044 STANDARD, LATEST REVISION.
 - OPERATING SPECIFICATIONS:
 - A. MAXIMUM WORKING PRESSURE - 150 PSI (10.5BAR)
 - B. TEMPERATURE RANGE - 34-150° F (1-65°C)
 - C. MAXIMUM VACUUM - 5"Hg (127mm Hg)
 - VISUAL LINER INSPECTION
 - A. NO MORE THAN 20 INTERNAL OR EXTERNAL BLEMISHES OR BURNT DEBRIS.
 - B. NO INTERNAL OR EXTERNAL BLEMISHES OR BURNT DEBRIS LARGER THAN 5×5mm.
 - C. NO INTERNAL BLEMISHES OR BURNT DEBRIS ALLOWED.
 - ALL GLASS STRANDS FROM FIBERGLASS LINER TO BE BONDED AND COVERED.
 - SURFACE TO BE FREE OF NICKS, SCRATCHES, RESIN AND GLASS.
 - SURFACE FINISH.
 - DIMENSIONS IN PARENTHESIS ARE REFERENCE ONLY.
 - DIMENSIONS IN SQUARE PARENTHESIS ARE INCH UNTL.
 - TANK TO BE BONDED TO BASE.
 - USING A STANDARD LEVEL WITH TANK POSITIONED ON A LEVEL SURFACE, DATUM B TO BE PARALLEL WITH DATUM A. BUBBLE OF LEVEL MUST FALL COMPLETELY WITHIN LINES WHEN MEASURED AT 90° INTERVALS WHEN PLACED ON THE TOP OF THE FLANGE.
 - AFTER THE TANK IS LEVELED, IT IS RECOMMENDED THAT THE TANK BE BOLTED TO THE FLOOR IN SIX POSITIONS PER THE TRIPOD BASE BOLT HOLE PATTERN WITH 3/8" ANCHORS.

4	DIMENSION A CHANGED		2011/08/29
3	THIS DRAWING IS UPDATED COMPLYING WITH THE CHINESE VERSION		2009/11/17
VERSION NO.	DESCRIPTION OF CHANGES:	SIGNATURE	DATE
REFERENTIAL PLASTIC SHRINKAGE (IF NECESSARY):			
SIGNATURE		WAVE CYBER (SHANGHAI) CO., LTD.	
DESIGN	NAME		
INSPECTION		SCALE	MATERIAL
APPROVAL		1 : 10	MODEL
THIS PRODUCT DRAWING CAN NOT BE COPIED AND/OR USED WITHOUT PRIOR WRITTEN APPROVAL OF WAVE CYBER.		QUANTITY	SMOOTHNESS
		DESCRIPTION	42" FRP PRESSURE VESSEL (DOUBLE FLANGE OPENING)
PROJECTION	COMPUTER CODE	DRAWING NO.	VERSION NO.
		113422-00	4
DO NOT MEASURE THE DIMENSIONS.		UNIT: MM	TOTAL PAGE: 1