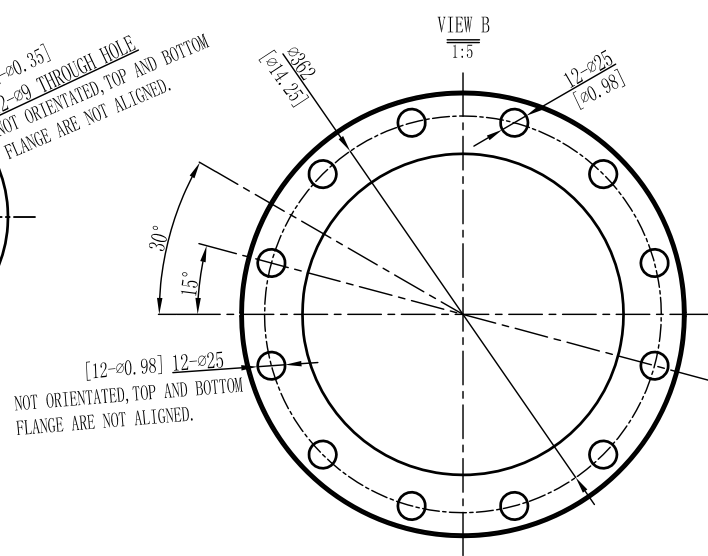
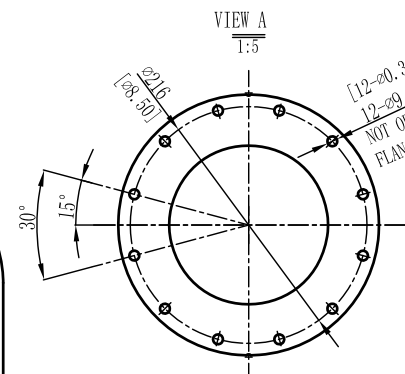
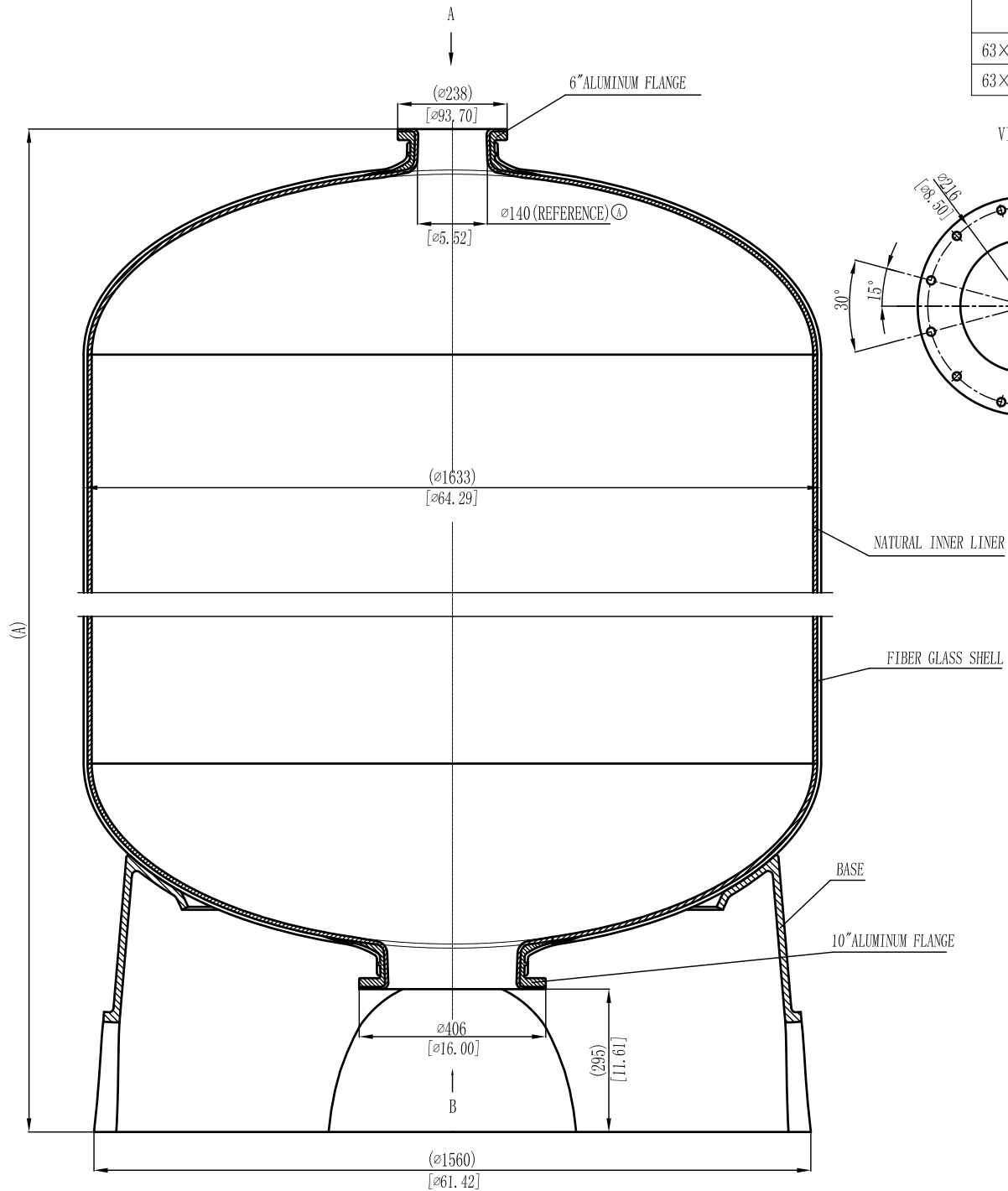


MODEL	A				VOLUME			DOME VOLUME			WEIGHT (kg)	
	6" (Top) - 10" (Bottom)				liters	U. S. gal	cubic FT	liters	U. S. gal	cubic FT	kg	LBS
	mm	inch	+/-									
	mm	inch	mm	inch								
63×67	2044	80.47	15	0.59	2451	647.56	86.61	511	135.01	18.06	272	598.4
63×86	2475	97.44	15	0.59	3306	873.45	116.82	511	135.01	18.06	320	704



NOTES:

- TANK MUST MEET ALL APPLICABLE SPECIFICATIONS OF NSF/ANSI 044 STANDARD, LATEST REVISION.
- OPERATING SPECIFICATIONS:
  - A. MAXIMUM WORKING PRESSURE - 150 PSI (10.3BAR)
  - B. TEMPERATURE RANGE - 34-150° F (1-65°C)
  - C. MAXIMUM VACUUM - 5" Hg (127mm Hg)
- VISUAL LINER INSPECTION
  - A. NO MORE THAN 20 INTERNAL OR EXTERNAL BLEMISHES OR BURNT DEBRIS.
  - B. NO INTERNAL OR EXTERNAL BLEMISHES OR BURNT DEBRIS LARGER THAN 5×5mm.
  - C. NO INTERNAL BLEMISHES OR BURNT DEBRIS ALLOWED.
- ALL GLASS STRANDS FROM FIBERGLASS LINER TO BE BONDED AND COVERED.
- SURFACE TO BE FREE OF NICKS, SCRATCHES, RESIN AND GLASS.
- SURFACE FINISH.
- DIMENSIONS IN PARENTHESIS ARE REFERENCE ONLY.
- DIMENSIONS IN SQUARE PARENTHESIS ARE INCH UNIT.
- TANK TO BE BONDED TO BASE.
- USING A STANDARD LEVEL WITH TANK POSITIONED ON A LEVEL SURFACE, DATUM B TO BE PARALLEL WITH DATUM A. BUBBLE OF LEVEL MUST FALL COMPLETELY WITHIN LINES WHEN MEASURED AT 90° INTERVALS WHEN PLACED ON THE TOP OF THE FLANGE.

4	ADDED DIMENSION A		2011/08/29
3	THIS DRAWING IS UPDATED COMPLYING WITH THE CHINESE VERSION		2009/03/16
VERSION NO.	DESCRIPTION OF CHANGES:	SIGNATURE	DATE
REFERENTIAL PLASTIC SHRINKAGE (IF NECESSARY):			
SIGNATURE		<b>WAVE CYBER (SHANGHAI) CO., LTD.</b>	
DESIGN	NAME		
INSPECTION		SCALE	MATERIAL
APPROVAL		QUANTITY	SMOOTHNESS
THIS PRODUCT DRAWING CAN NOT BE COPIED AND/OR USED WITHOUT PRIOR WRITTEN APPROVAL OF WAVE CYBER.		PROJECTION	COMPUTER CODE
		DRAWING NO.	VERSION NO.
		113636-00	4
DO NOT MEASURE THE DIMENSIONS.		UNIT: MM	TOTAL PAGE: 1